

MAN LAN/WIX UPDATE

Dale Finkelson

Oct 3, 2013

GLIF 2013

GOLE Design

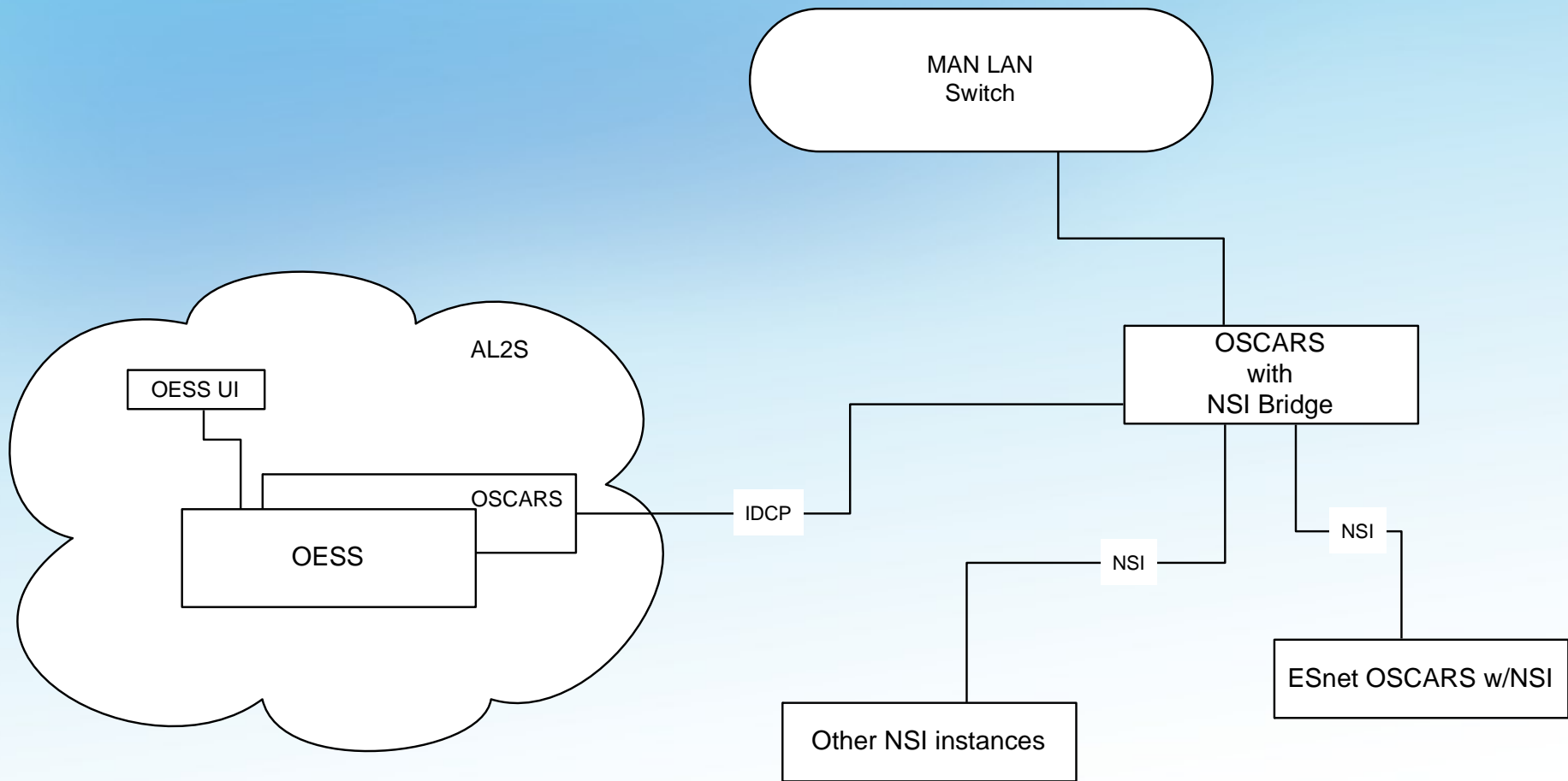
- Keep in mind the characterization that Lars presented to us this morning:
 - GOLE's have at least these characteristics
 - Trans Oceanic Landing facilities
 - Terminate Spectrum
 - Connect Terrestrial paths to Trans Oceanic paths.
 - Switch and adapt Terrestrial Links to one another
 - Having Performance verification tools

MAN LAN/WIX

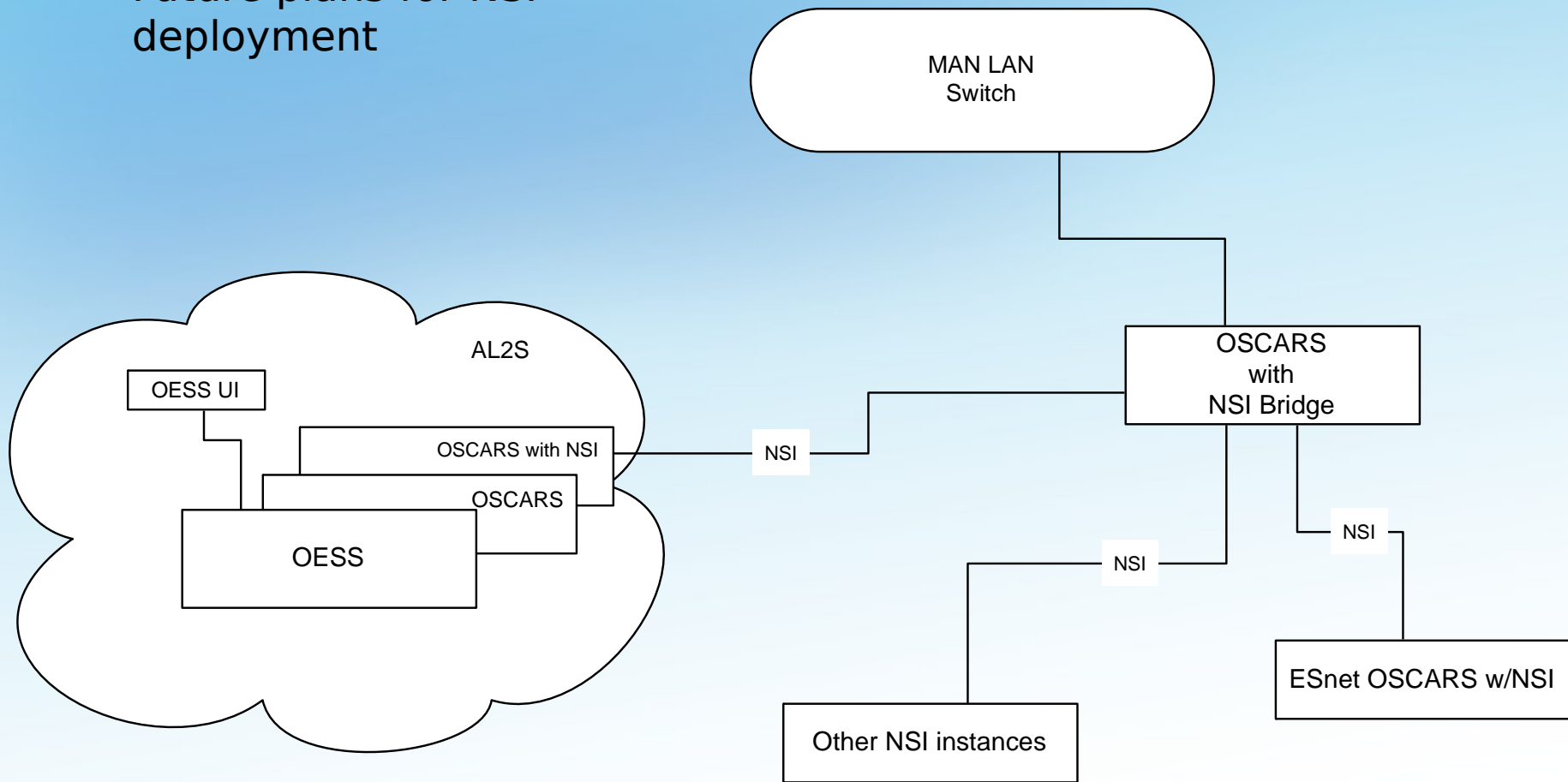
- Current Status:
 - 100G connections – MAN LAN:
 - Internet2 – AL2S
 - ESnet
 - ANA 100G
 - 100G Connections – WIX
 - Internet2 AL2S and Router
 - ESnet
 - MAX
 - Multiple 10 Gigs

Circuit support

- Circuit Support
- Both static and dynamic
 - OSCARS using IDCP
 - NSI bridge for OSCARS was installed last week at MAN LAN
 - Will continue to track that development
- Currently no SDN (OpenFlow) support



Future plans for NSI deployment



Monitoring

- perfSONAR boxes have been installed
 - Available for testing circuits in and out of MAN LAN and WIX.
 - A set of vlans and IP addresses will be public for building circuits to and testing against.

32 AOA

- Management of the 24th floor at 32 AOA has changed.
 - The floor, including the MMR, is now managed by Telex.