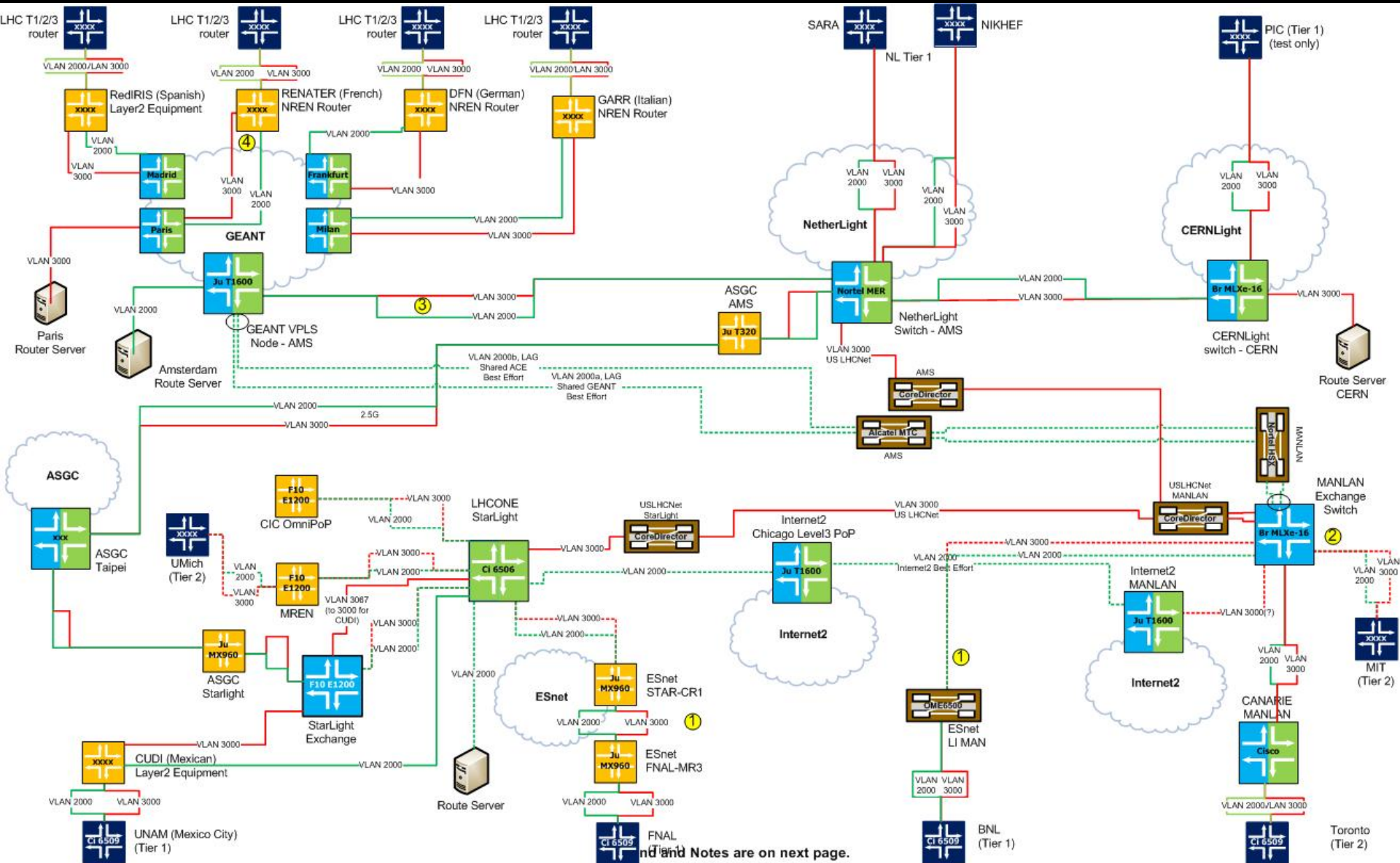
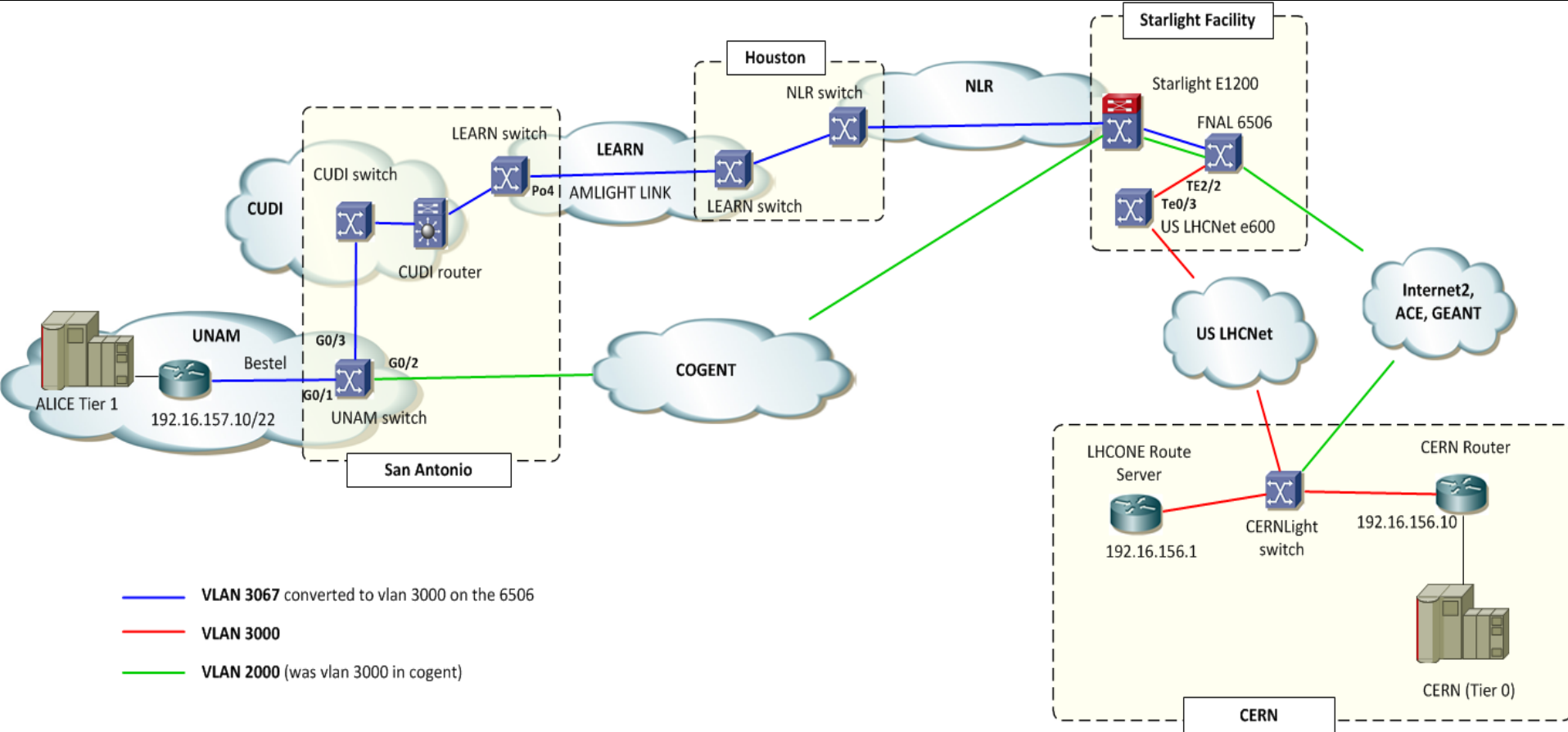


LHCONE: Source Bill Johnston



and Notes are on next page.

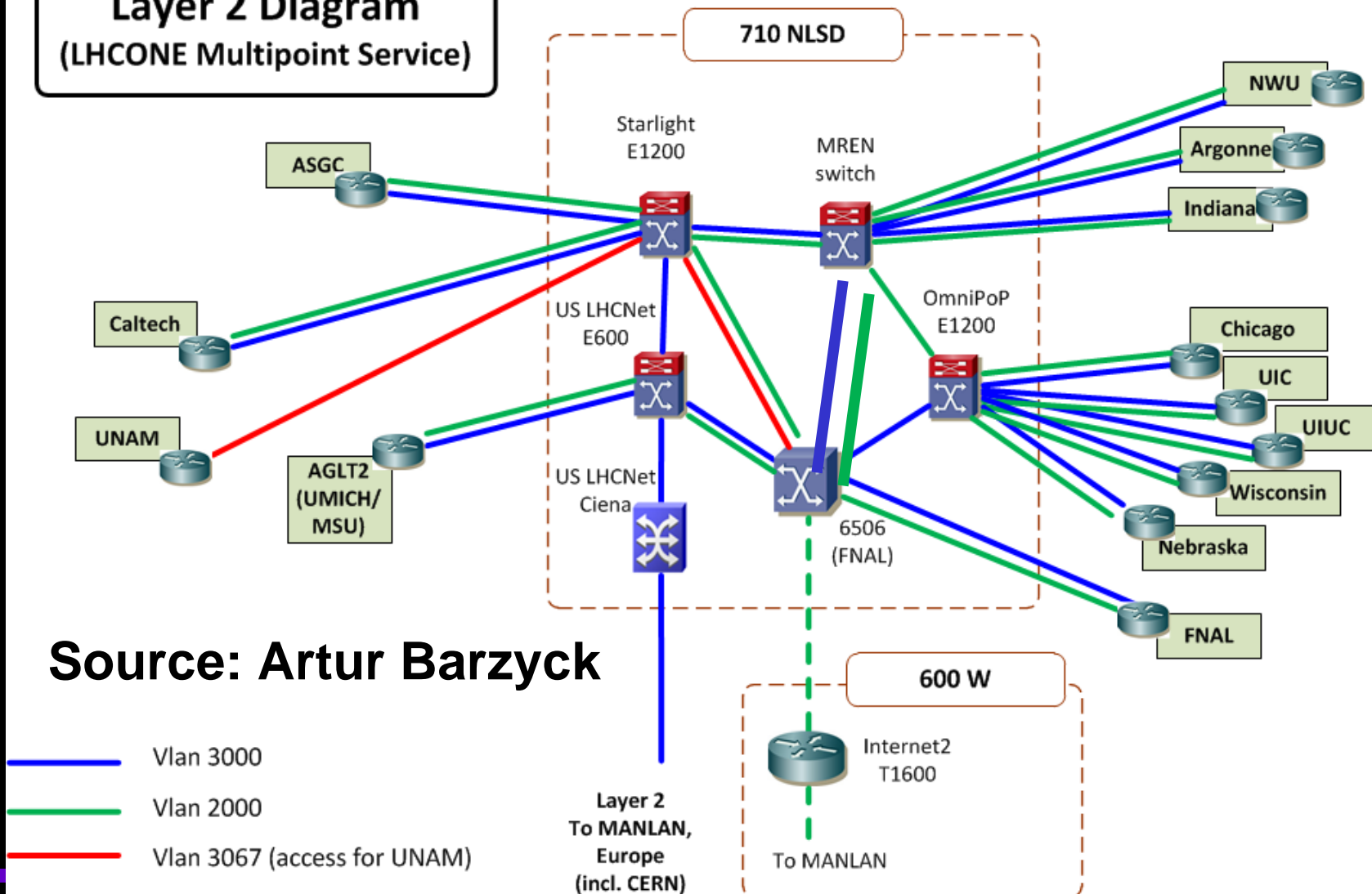
UNAMnet



Source: Artur Barzyck

Plans for LHCONE

Summer 2011
Layer 2 Diagram
(LHCONE Multipoint Service)



Source: Artur Barzyck