

GLIF Technical WG Winter Meeting, University of Hawaii

GOLE Updates : KRLight

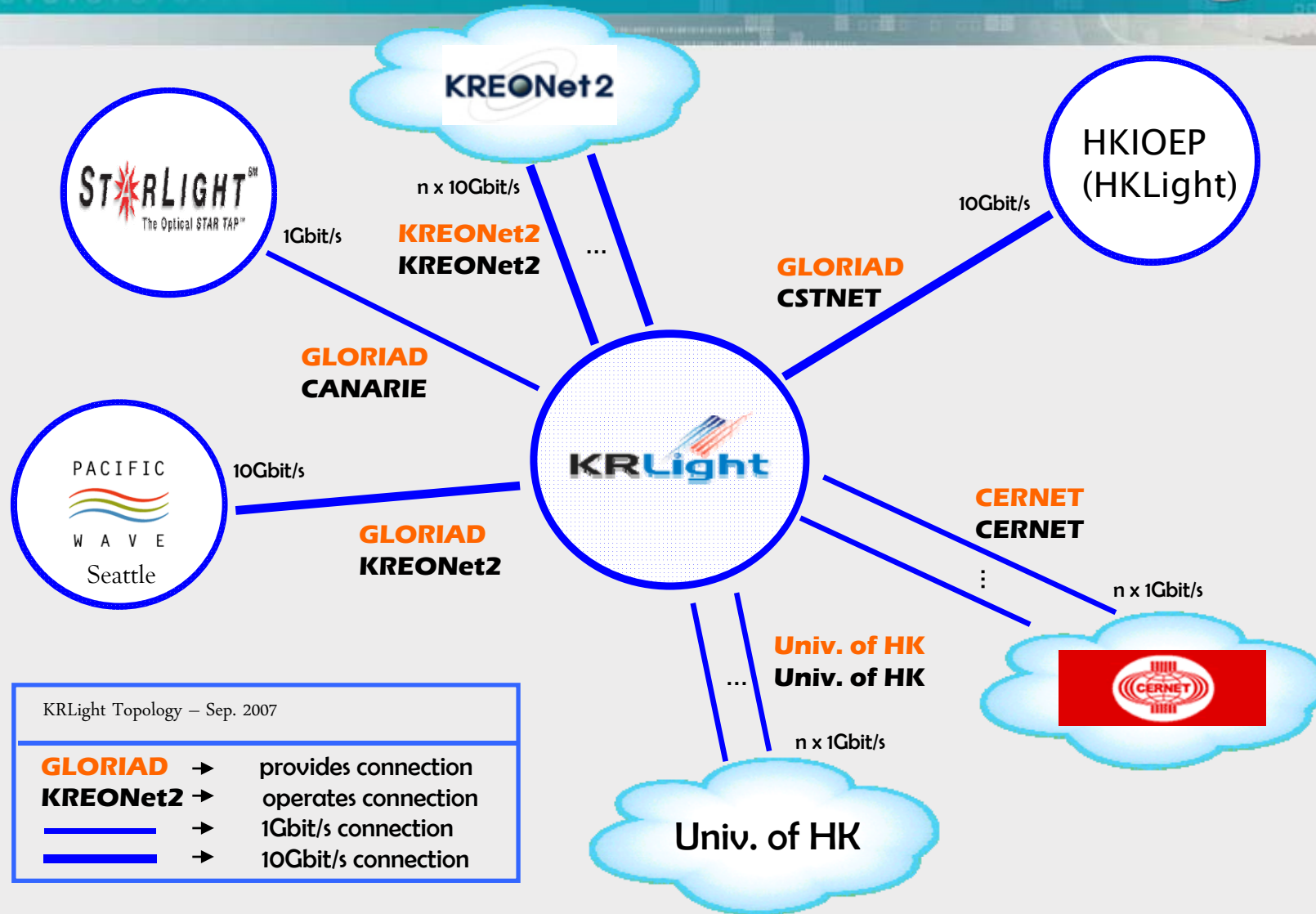


January 20, 2008

Dongkyun Kim
mirr@kisti.re.kr
CNI Division@KISTI



KRLight : www.krlight.net



KRLight Topology – Sep. 2007

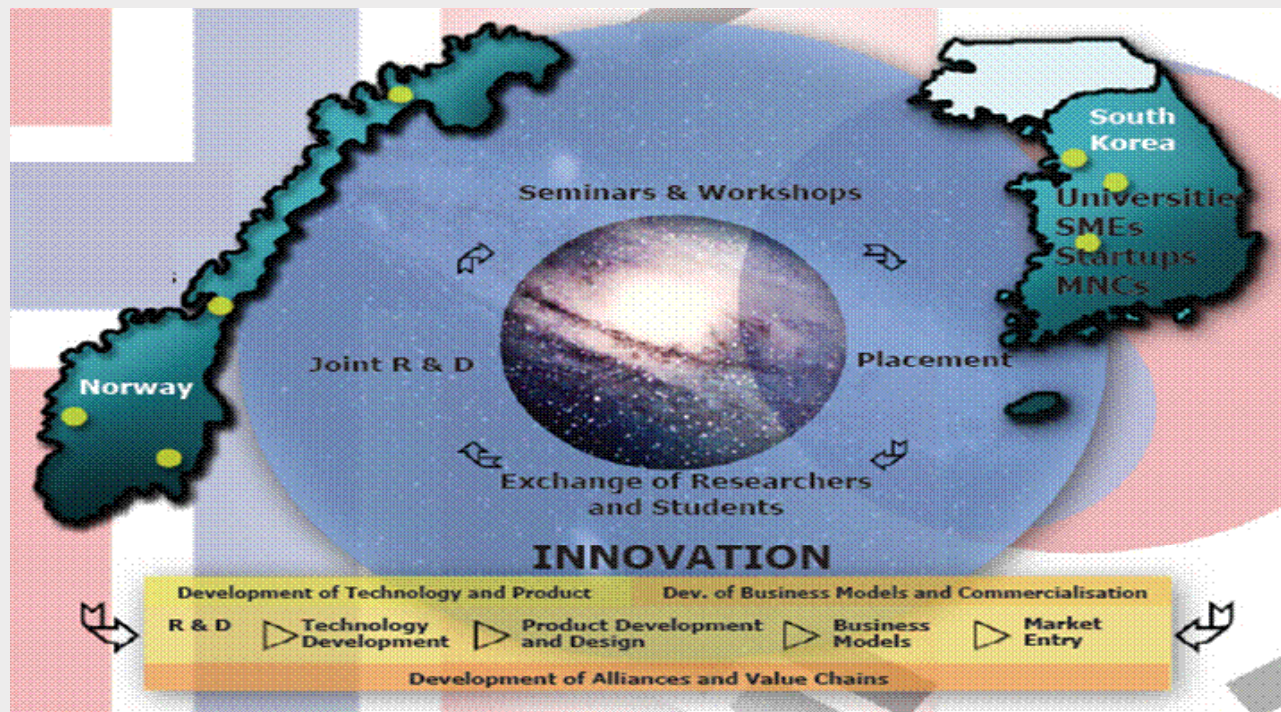
- GLORIAD** → provides connection
- KREONet2** → operates connection
- → 1Gbit/s connection
- → 10Gbit/s connection

Medical HD Live Transmission Pilot

Norway (NTNU, Trondheim) – Korea (Yonsei Hospital, Seoul)



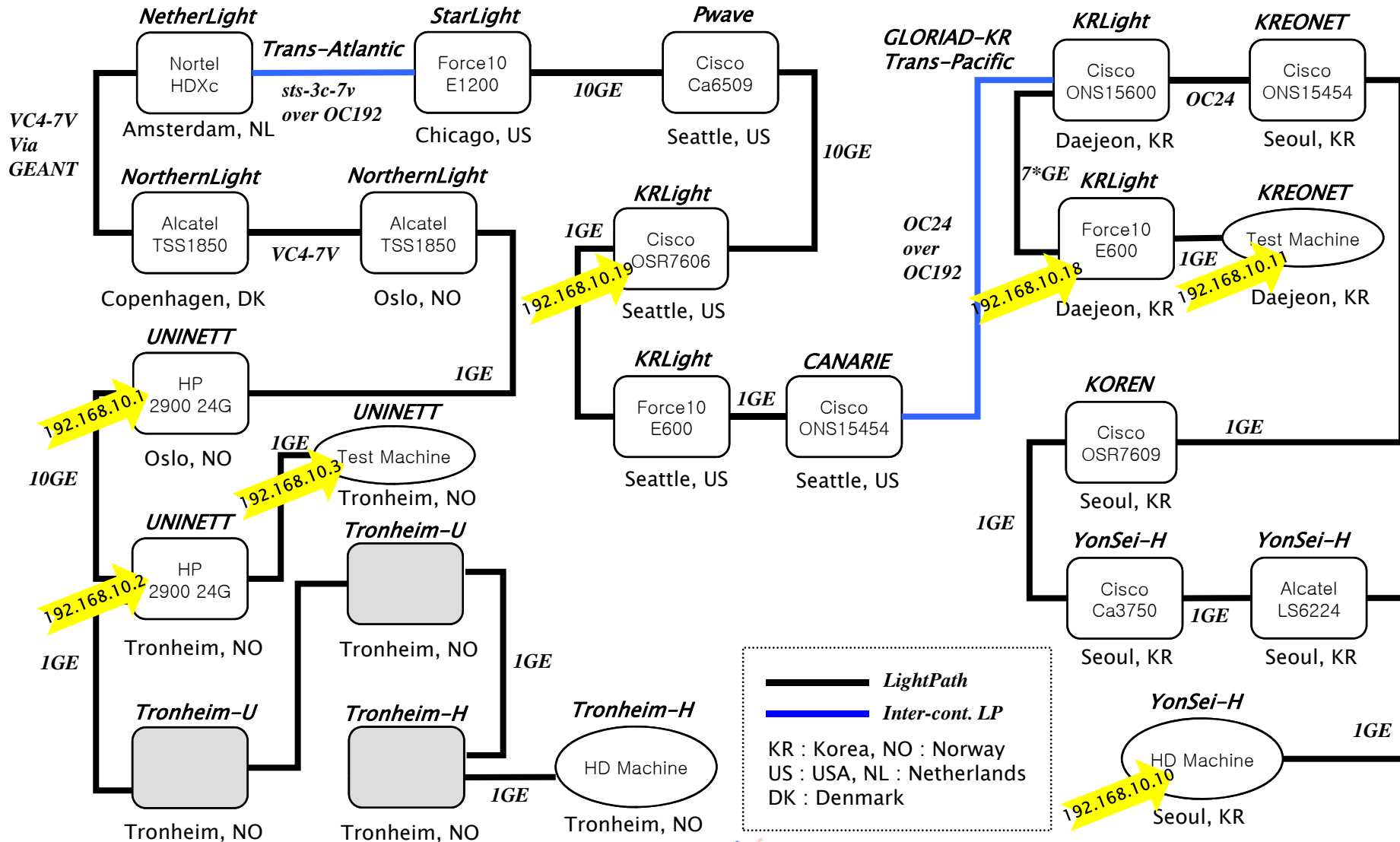
- To create a practical communication channel for continuous research and education activities in the medtech & medical service sector between Norway and Korea, and further to promote close collaborations between the relevant hospitals



<http://people.kreonet.net/medicalHD-pilot/index.html>

Norway-Korea LP Provisioning

Jan. 16, 2008 updated by Dongkyun, Trond, Albert, David, Ronald, Dongkyu, Kwangjong



Works Ahead

- **Norway–Korea medicalHD–pilot**
 - End-to-end LP (Trondheim Hospital – Yonsei Hospital) is expected to be setup soon
 - Relevant network tests will be performed
 - Further updates on this experiment/network will be posted at <http://people.kreonet.net/medicalHD-pilot/index.html>

- **KRLight Equipments Upgrade**
 - OME6500s will be installed on KRLight this year
 - ONS15600/ONS15454 will be replaced