



Medical Media HD Live Transmission
Pilot

GLIF meeting 1 October 2008

Trond Skjesol,
senior research scientist (IP routing).

Title

- Medical Media HD Live Transmission Pilot:
Norwegian University of Science and Technology, Norway, and Yonsei Hospital, Korea

Content

- UNINETT and NORDUnet
- The providers.
- The network.
 - ◆ Measurements.
- The medical experiment.

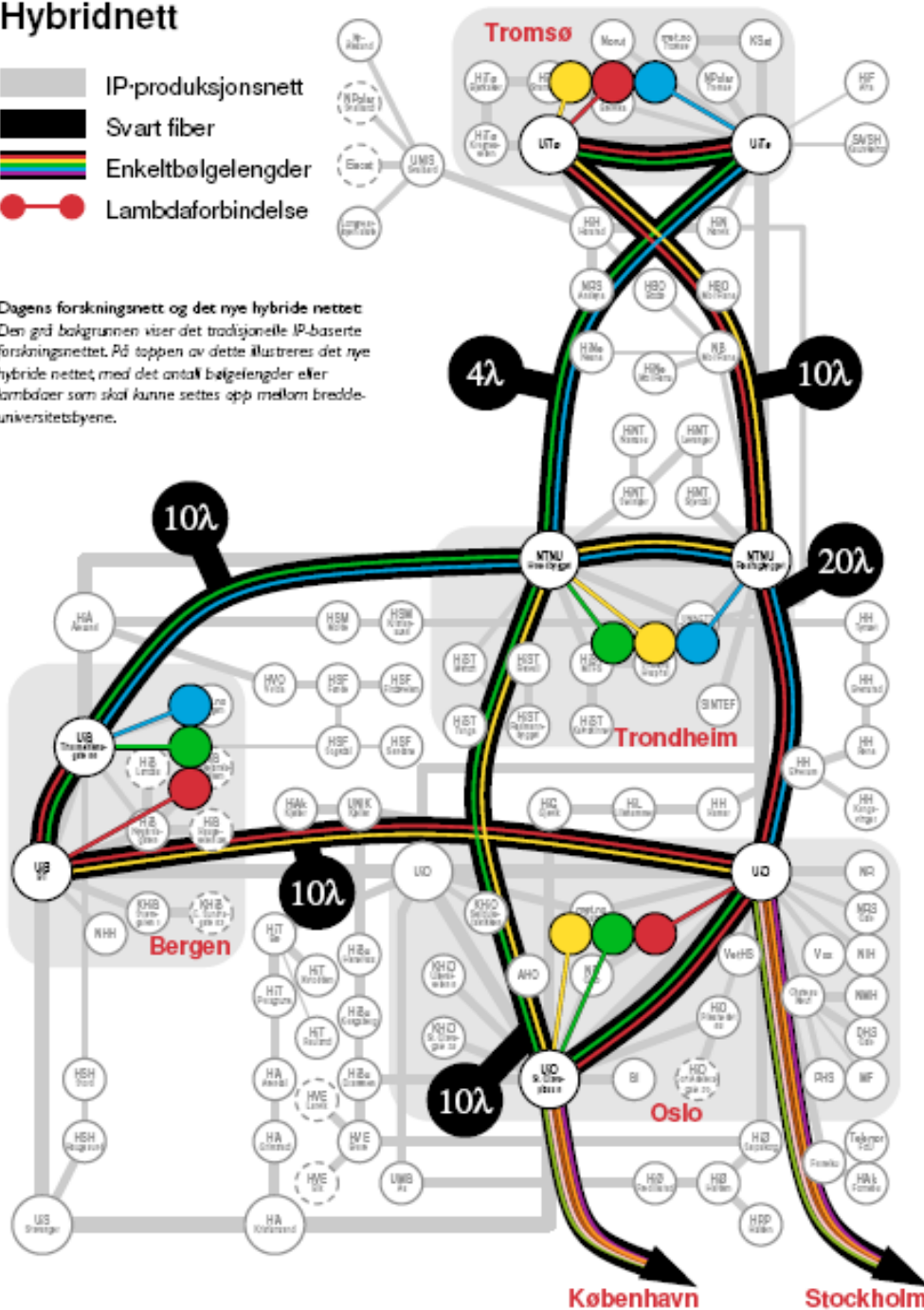
What is UNINETT?

- UNINETT AS develops and operates the national research network, which links together Norwegian educational and research institutions and connects them into international networks via NORDUnet.
- Supports hybrid network to some customers.

Hybridnett

-  IP-produksjonsnett
-  Svart fiber
-  Enkeltbølgeledder
-  Lambdaforbindelse

Dagens forskningsnett og det nye hybride nettet
 Den grå bakgrunnen viser det tradisjonelle IP-baserte forskningsnettet. På toppen av dette illustreres det nye hybride nettet, med det antall bølgeledder eller lambdaer som skal kunne settes opp mellom breddeuniversitetbyene.



NORDUnet

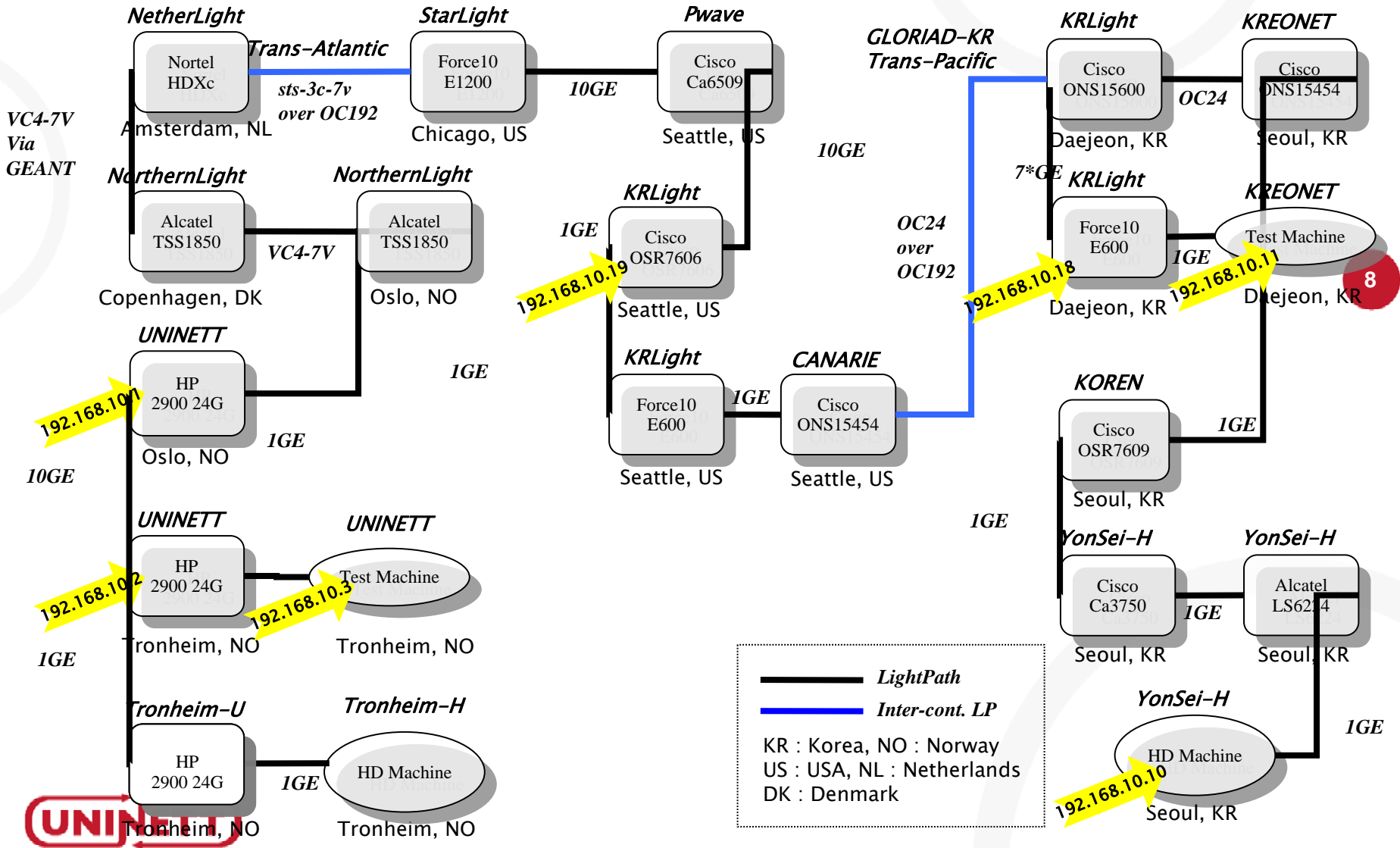


The providers.

- KISTI/KREONET/KRRLight
- NIA/KOREN
- NSALK/NTNU hospital
- UNINETT
- NORDUnet
- CANARIE
- PNWGP/Pacific Wave
- StarLight
- SURFnet/NetherLight

Norway-Korea LP Provisioning

Jan. 16, 2008 updated by Dongkyun, Trond, Albert, David, Ronald, Dongkyu, Kwangjong



Measurements.

- Ping Norway to Korea (192.168.192.10.3 to 192.168.10.18)

64 bytes from 192.168.10.18: icmp_seq=1 ttl=64 time=307 ms

64 bytes from 192.168.10.18: icmp_seq=2 ttl=64 time=300 ms

64 bytes from 192.168.10.18: icmp_seq=3 ttl=64 time=298 ms

64 bytes from 192.168.10.18: icmp_seq=4 ttl=64 time=305 ms

- Network Throughput (w/ iPerf)

957 Mbits/sec

All the collaborators

- Lars Fischer/Nordunet
- Dongkyun Kim/KISTI
- Kwangjong Cho/KISTI
- Dongkyu Lim/Yonsei Hospital
- Sang-Hyun Choi/NIA
- Albert Colmenero/Nordunet
- David Sinn/PNWGP
- Ronal Van der Pol/SARA
- Alan Verlo/StarLight
- Thomas Tam/CANARIE
- Trond Skjesol/UNINETT
- ????

As a user

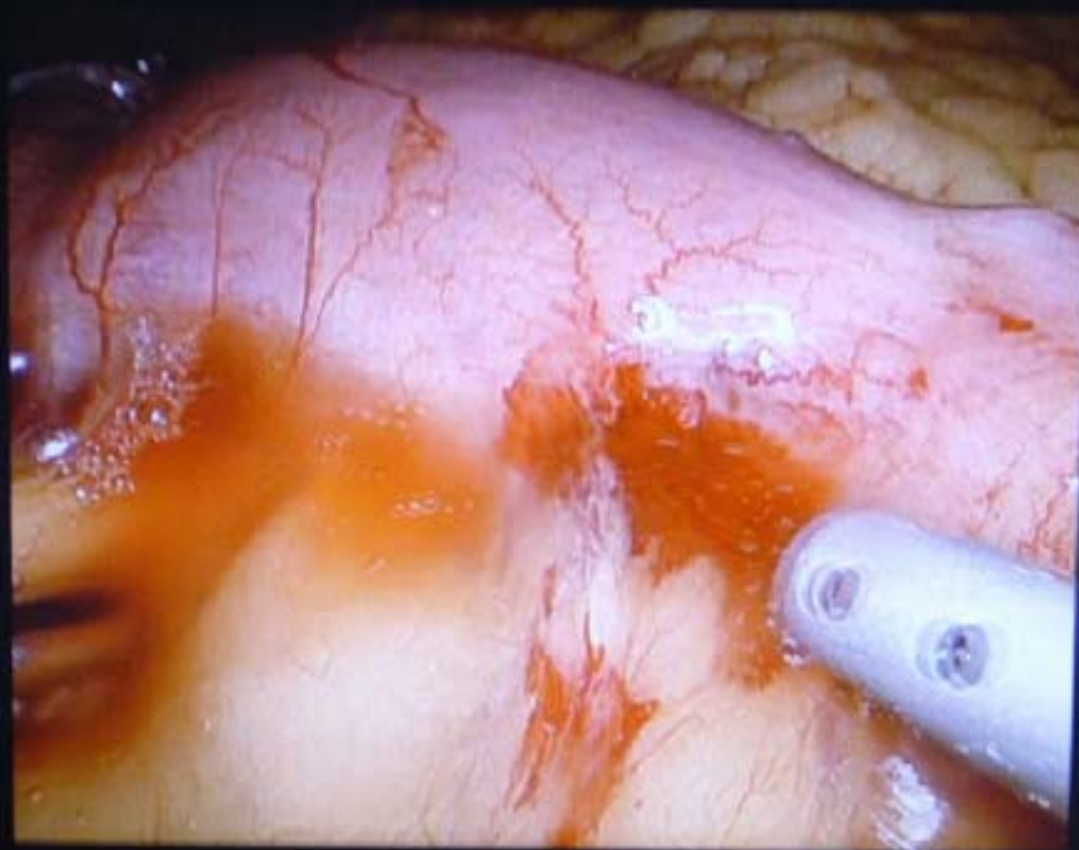
- Special thanks to Lars Fisher for coordinating the whole thing by
 - ◆ Collaboration with all parties involved
 - ◆ Being the user interface
- I think it's still a long way to go before a userfriendly service is in place?
- Does the users know about the possibilities?

The medical experiment

- To test its feasibility and evaluate a full spectrum of relevant technologies for HD live surgery transmission, such as valid network route, quality of network and media transmission image, encoding/decoding, new media applications, terminals, transmission of jpeg2000 video at 800Mb/s, etc...

The medical experiment

- Collaborate in medicine research and exchange knowledge. By viewing laparoscopy surgery in High Definition Video doctors have seen details which they have never seen before.
- They may exchange knowledge and make advice online during operations.
- The will learn about seldom types of cancer surgery which are more common other places.

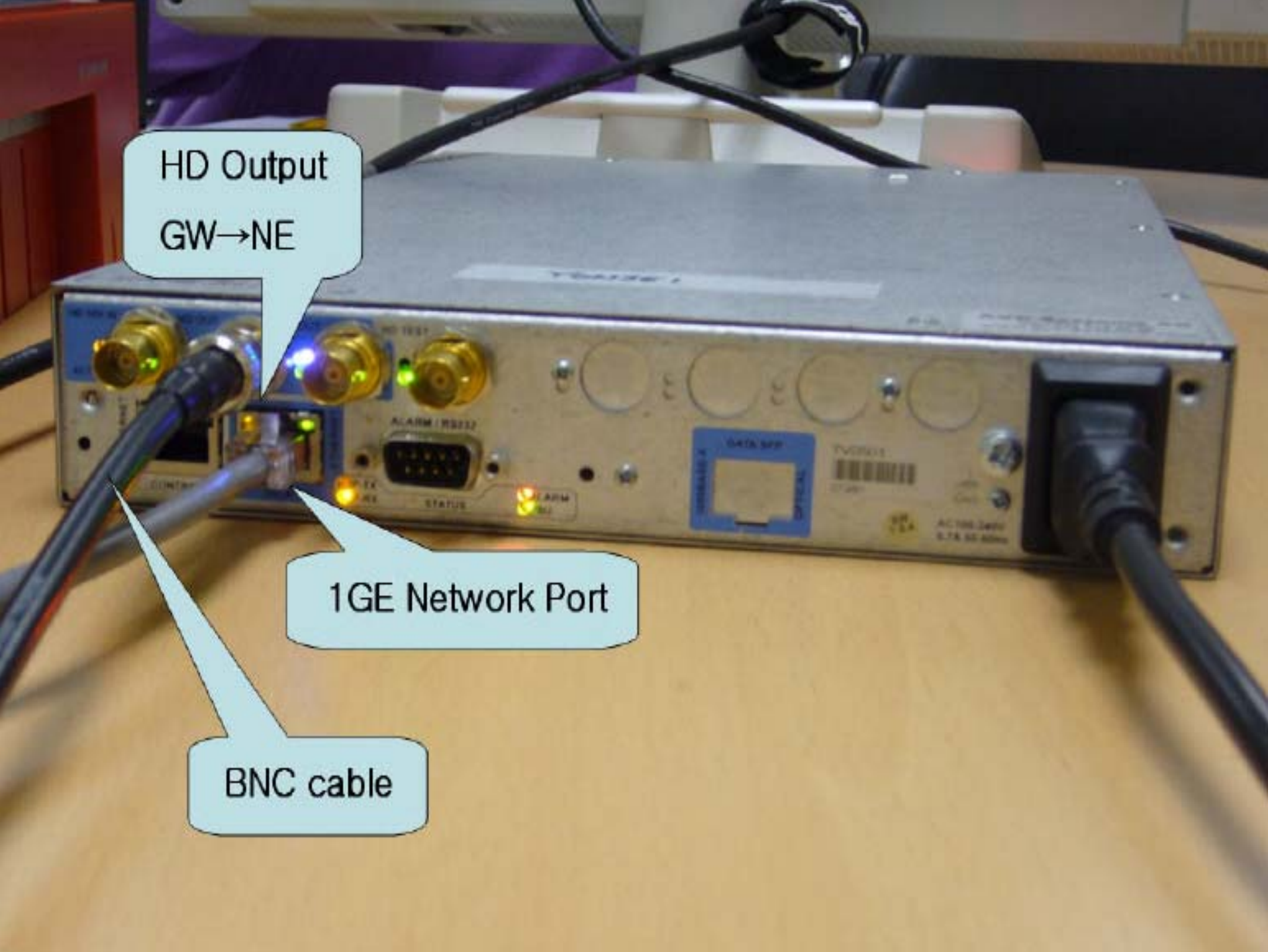


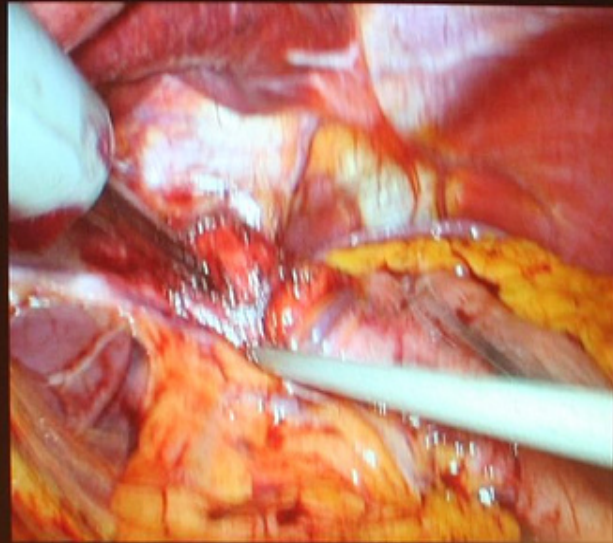
HD Input port
NE → Sony

HD Output
GW→NE

1GE Network Port

BNC cable





References

- <http://www.uninett.no/index.en.html>
- <http://wiki.krlight.net/medicalHD-pilot>