

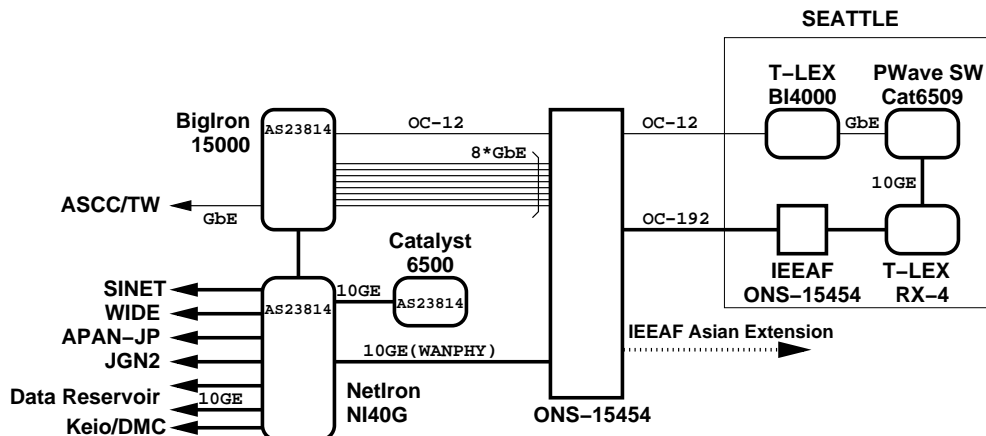
T-LEX Update

Akira Kato



The Univ. of Tokyo/WIDE Project
kato@wide.ad.jp

T-LEX Update



T-LEX Minor Update

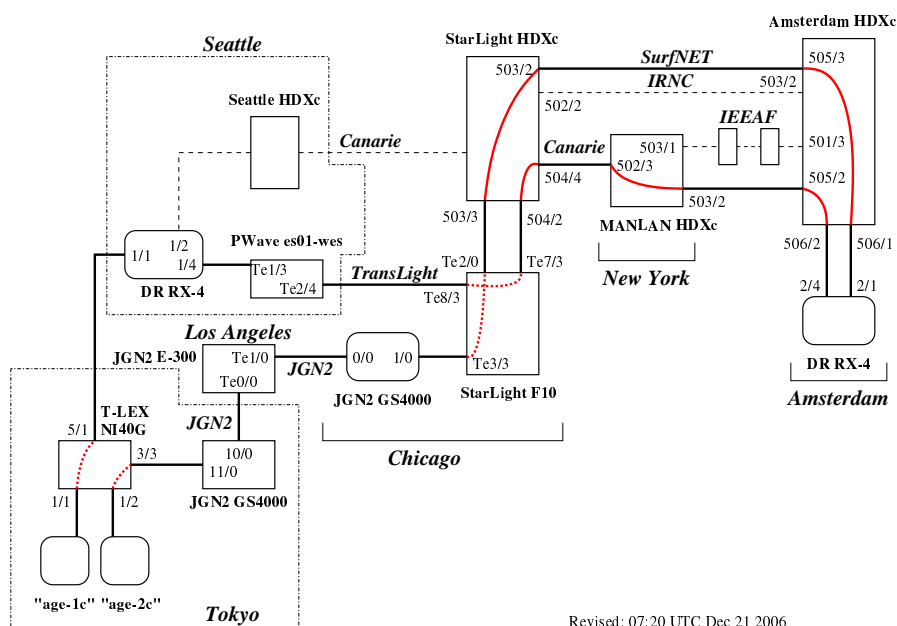
☆ A 10GE link to Keio/DMC

- Already operational, layer-2 switched
- Working for CineGRID activities or 4K
 - USC/RZC and UCSD/CalIT2
- IEEAF--CENIC
- JGN2--TransPuter Lambda

☆ A 10GE link to SINET

- Finally it is operational, layer-2 switched
- Possible access to many JP universities
- GbE provisioning may be possible with SINET3
 - Being implemented until June

DR's LSR trial



Revised: 07:20 UTC Dec 21 2006

DR's IPv6 LSR trial in Christmas Holidays

☆ The difficulty

- No TOE support in IPv6
- IPG adjustment was done in NIC, however

☆ Marked possible records

- with single IPv6 TCP stream
- over 30,000km
- LSR submitted but yet to be approved
- 7.67Gbps (230.1 Pbm/s)
 - Regular iperf
- 9.08Gbps (272.4 Pbm/s)
 - Modified iperf, use mmap() to avoid copy
- Unbreakable with a single 10GE WANPHY
 - Requires multiple 10GE WANPHY
 - or pure-LANPHY for > 30,000km

☆ **Thanks a lot for all who helped the activity!!**

Possible Future Extentions