

Network Planning Update

Rick Summerhill
Chief Technology Officer, Internet2

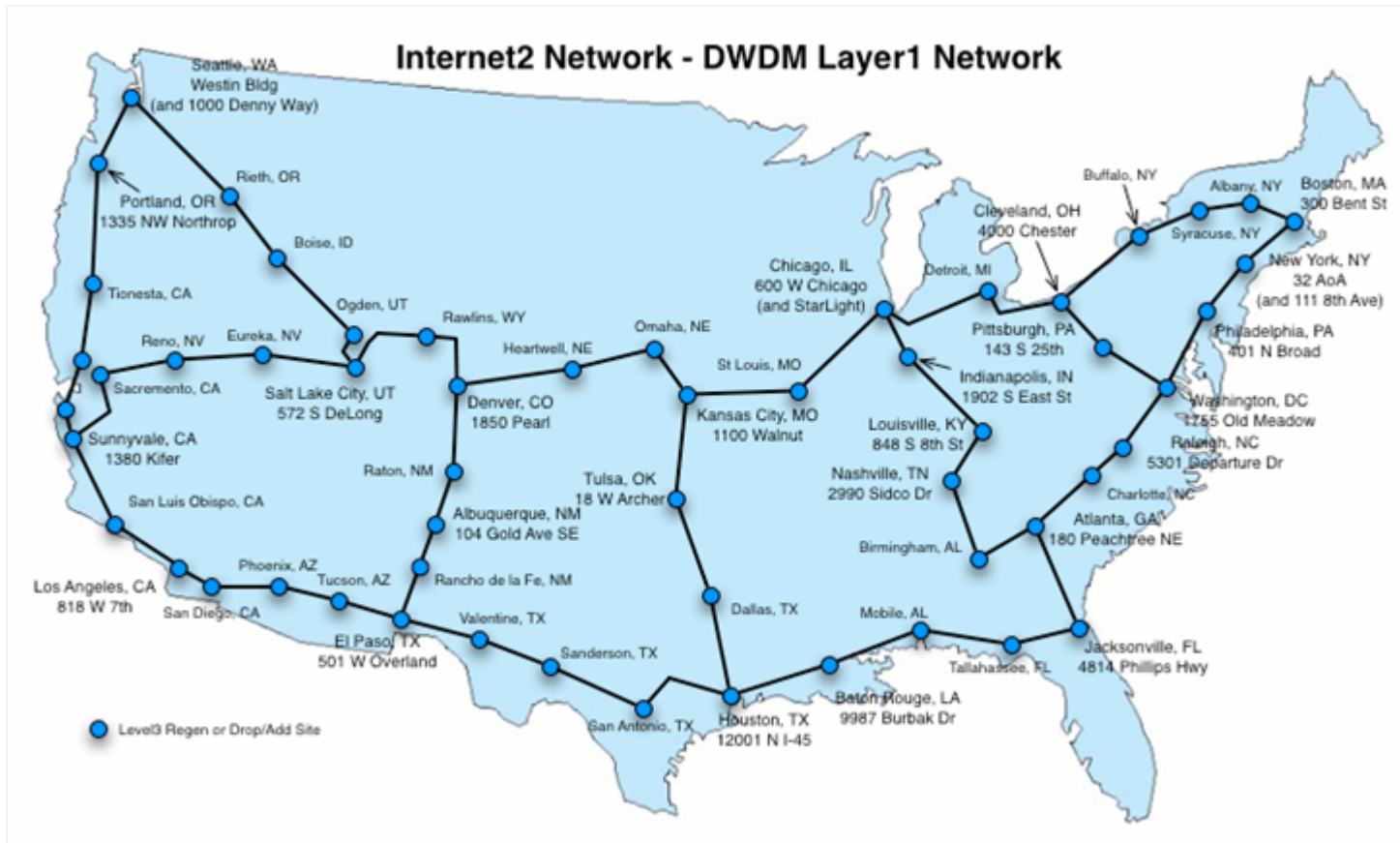
GLIF Meeting
17 September 2007
Prague, Czech Republic

Network Planning Team (NPT)

- People
 - Charlie Catlett, Chair
 - John Silvester
 - Wendy Huntoon
 - Steve Cotter
 - Rick Summerhill
- Meetings and Calls beginning in March, 2007
- Discussion about Internet2 and NLR Infrastructure, Architecture, and Services

Internet2 Network Components

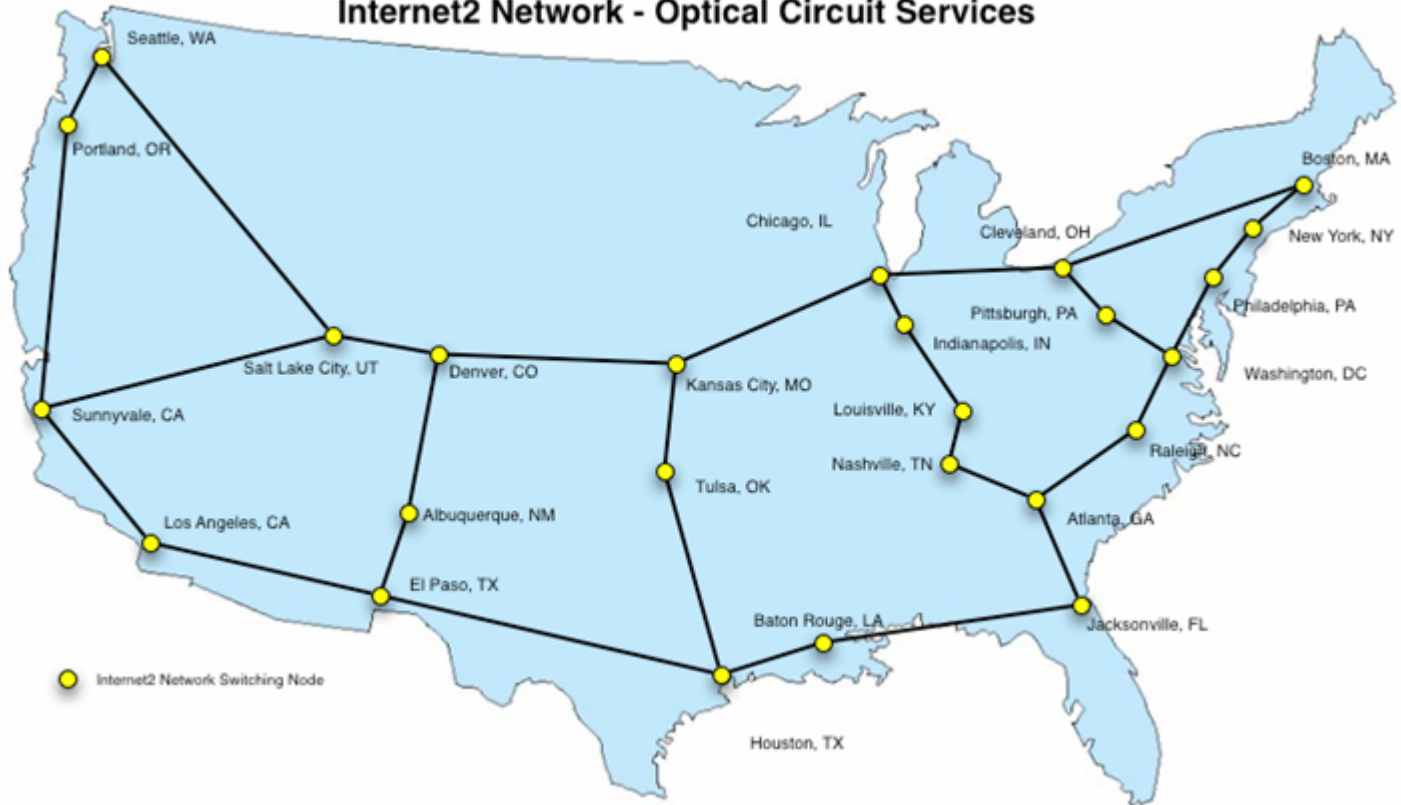
- Fiber
- DWDM wave system
- Sub Wave Circuit system
- Layer 2 system
- Layer 3 IP system
- Management of the above systems
- Observatory

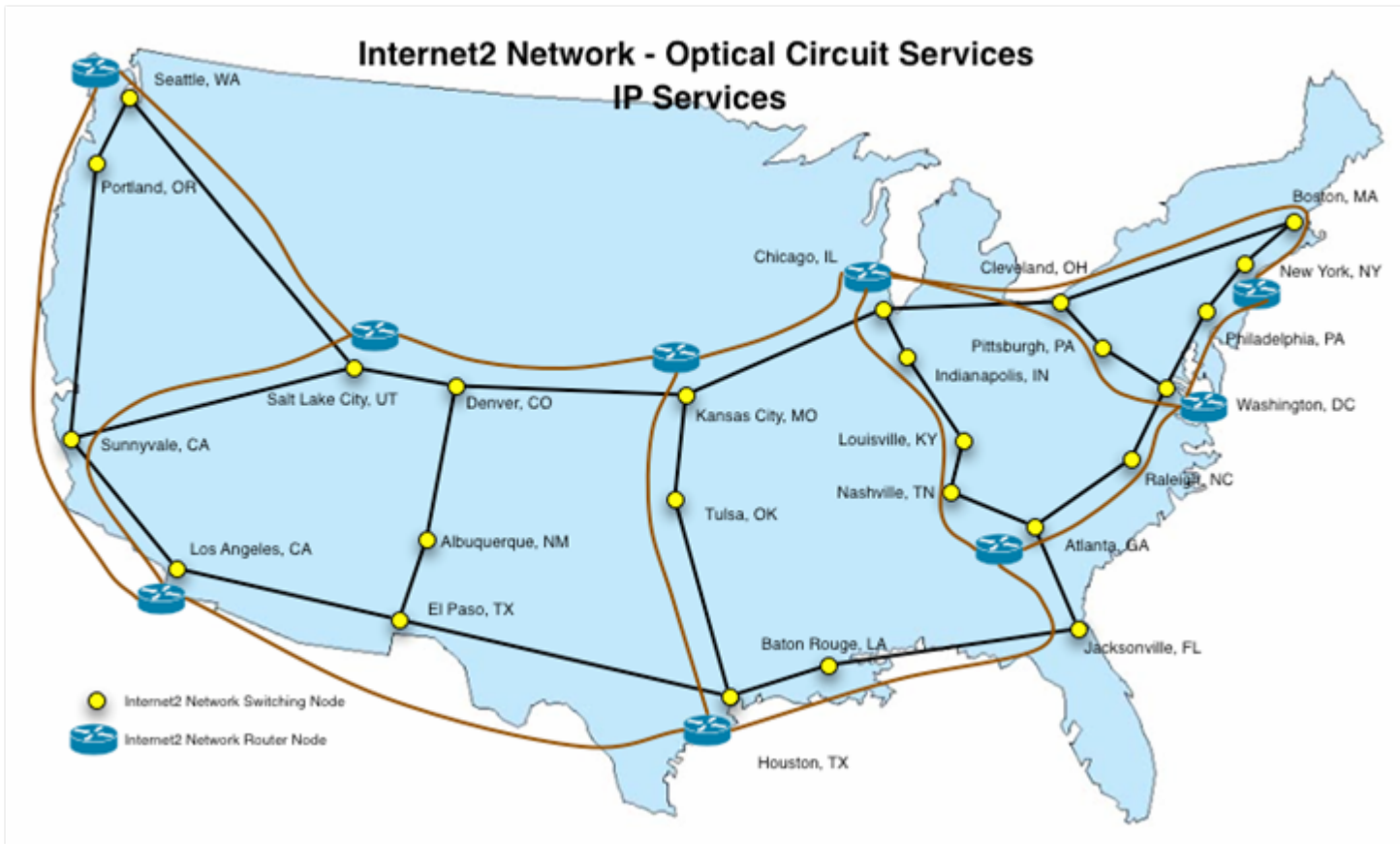


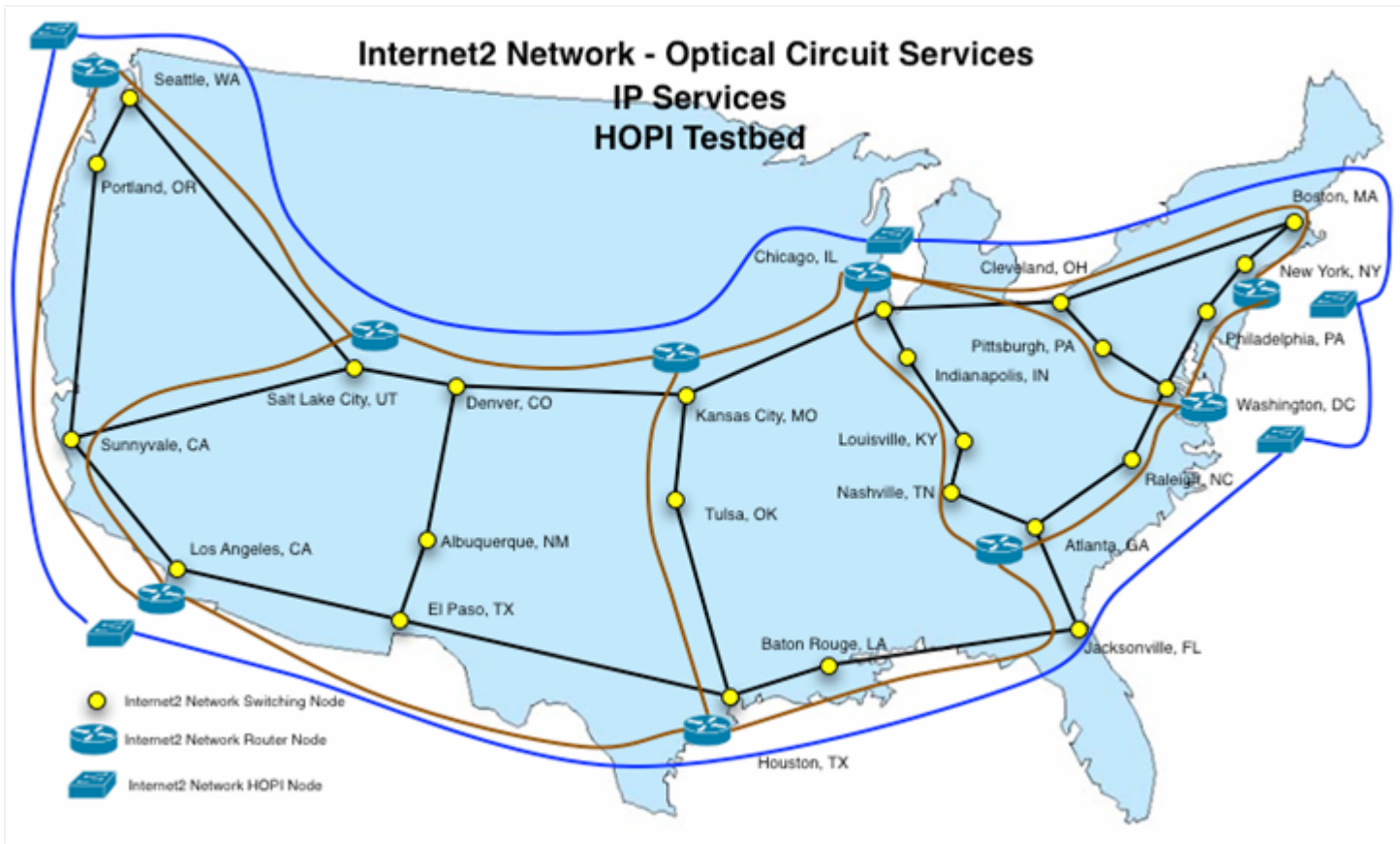
Supported Networks

- ESnet
 - IP Network
 - SDN Layer 2 Network
- Internet2 Network
 - IP network
 - Circuit Services
 - Dynamic Circuit Network
 - Long Term Static Circuits

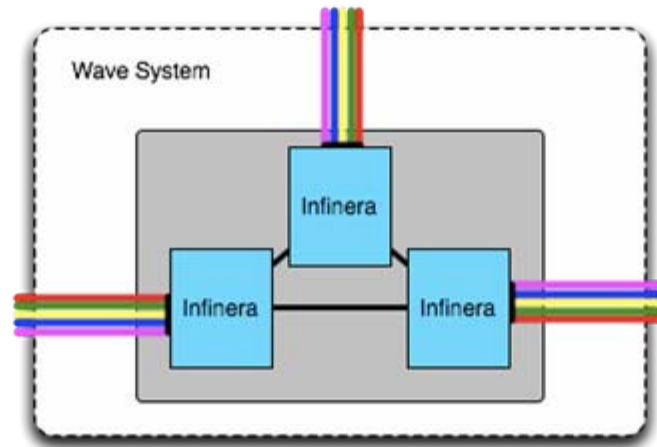
Internet2 Network - Optical Circuit Services



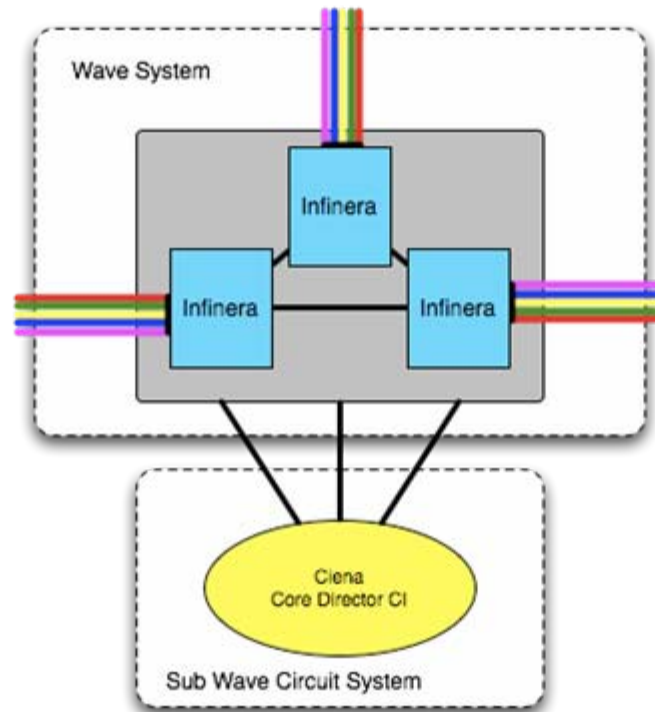




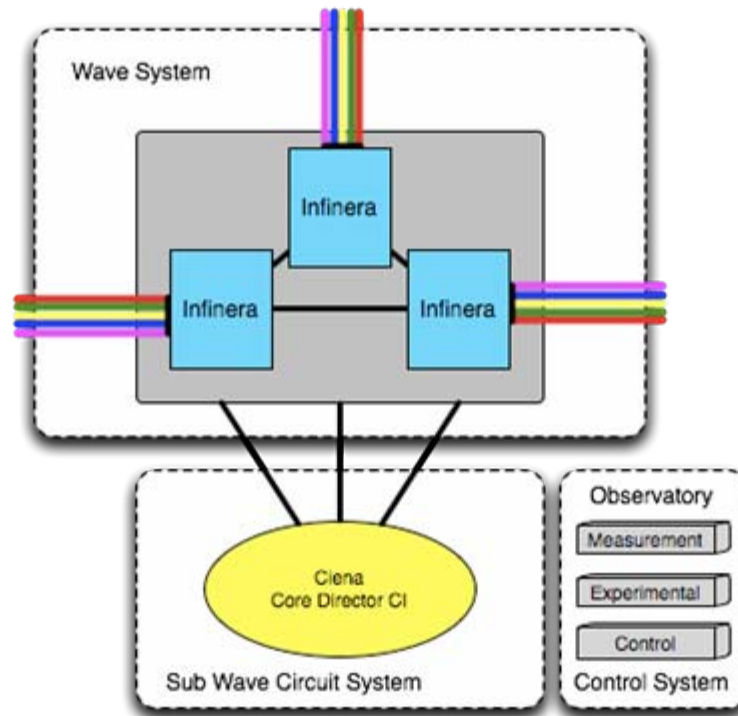
Nodes



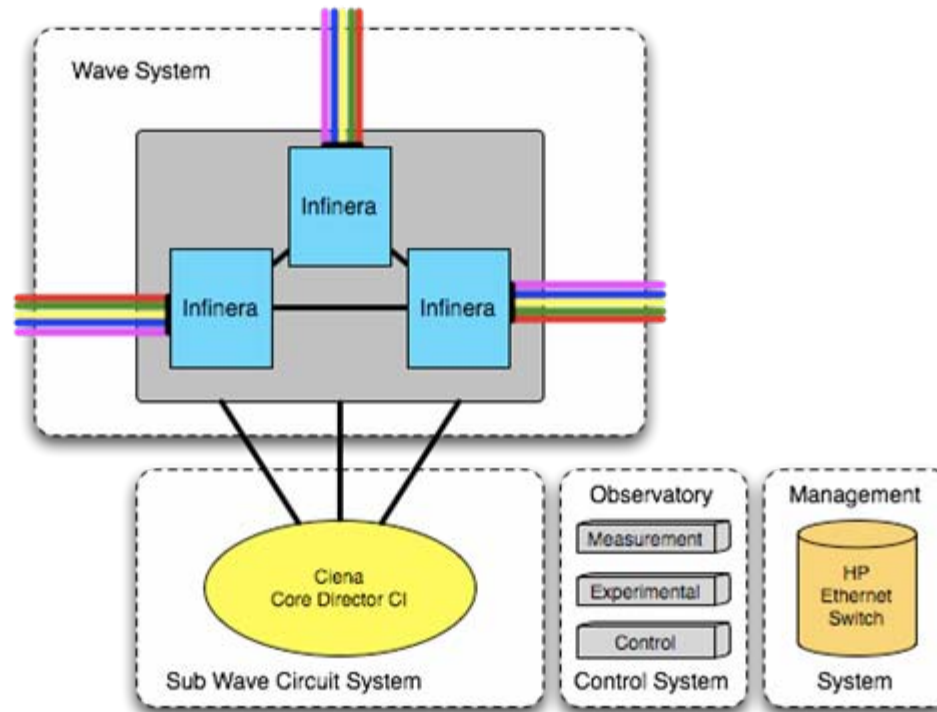
Nodes



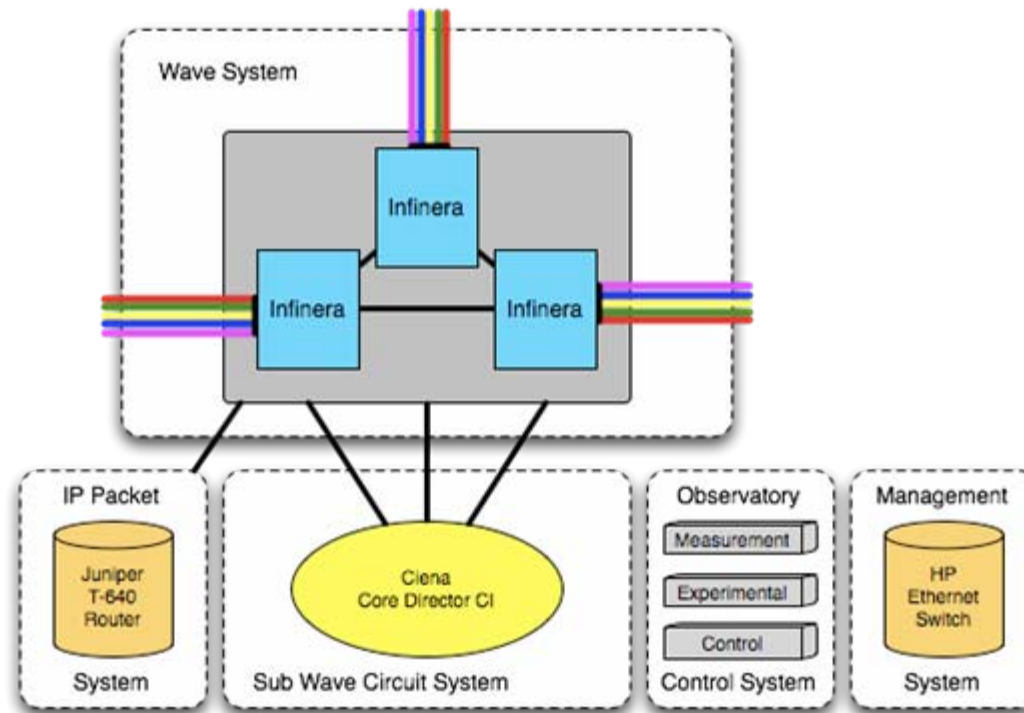
Nodes



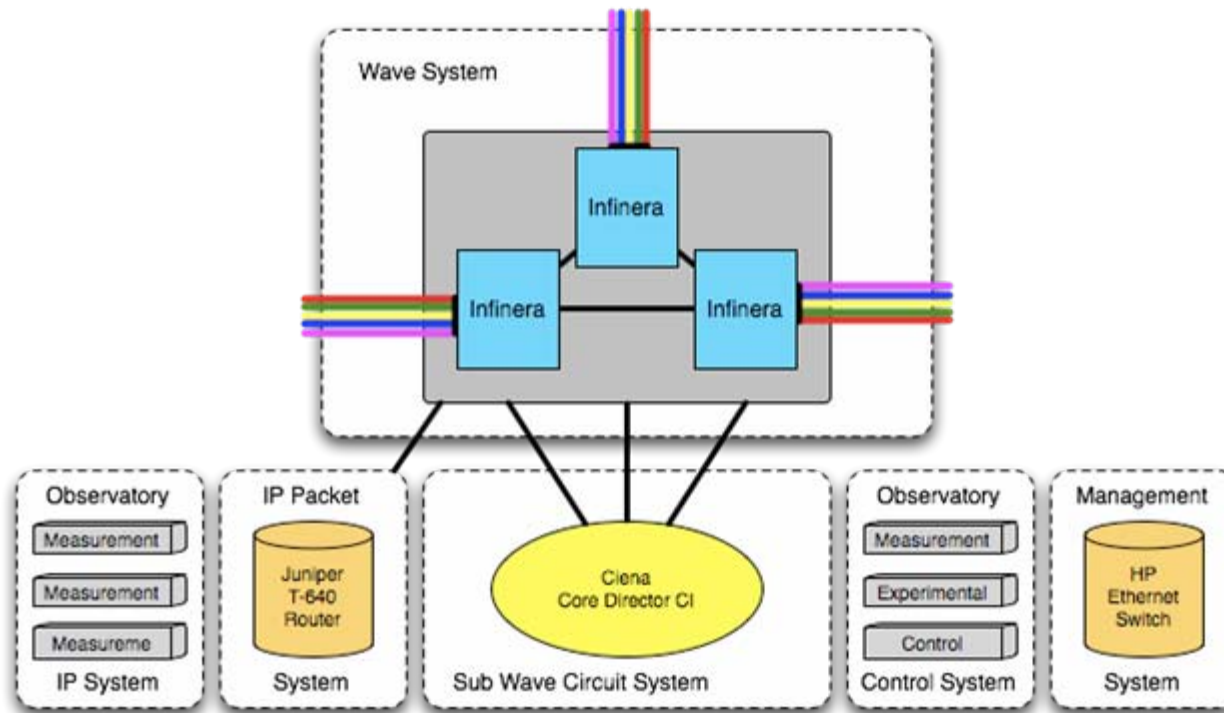
Nodes



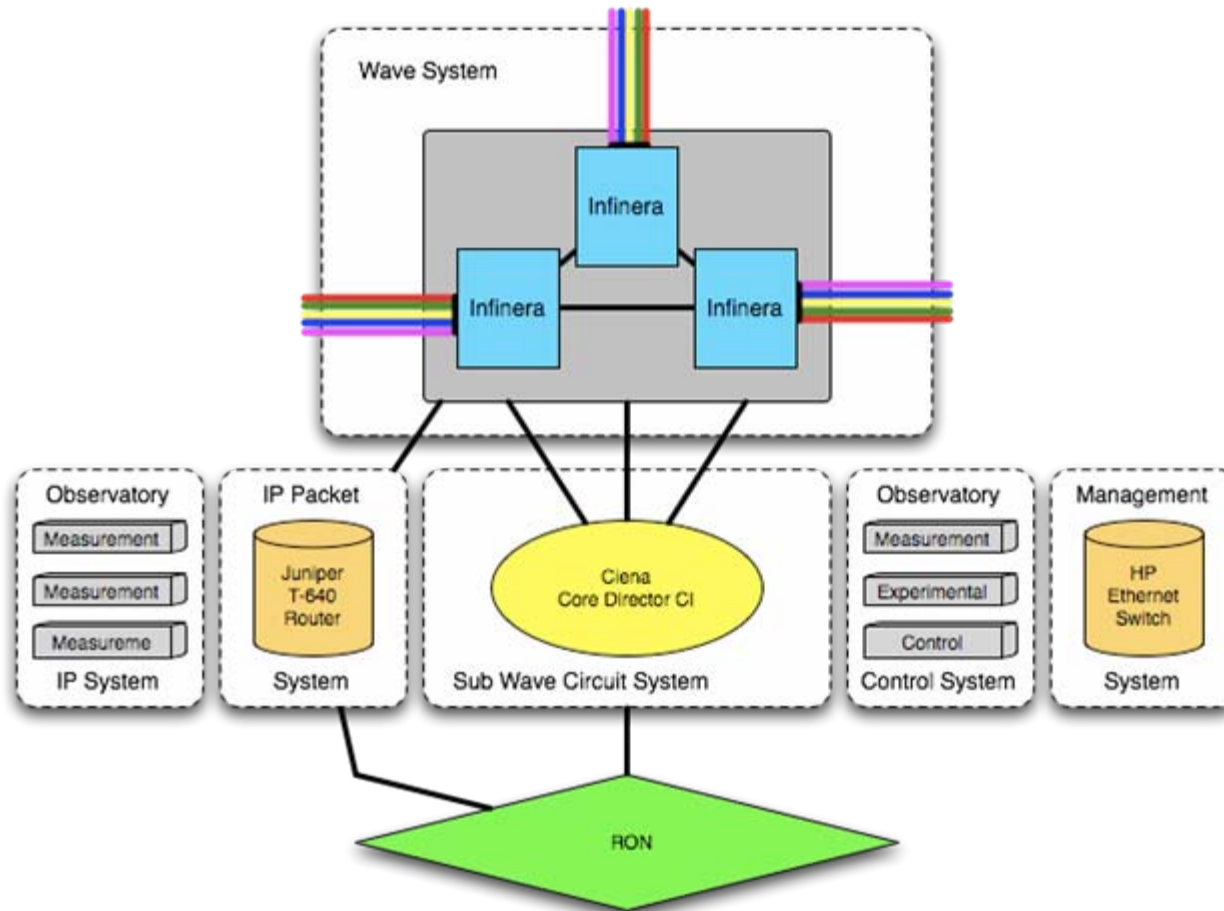
Nodes



Nodes



Nodes



Services

- Circuit Services
 - Static Services
 - Dynamic Circuit Network
 - HOPI Testbed Experimentation
- IP Services
 - Research Traffic
 - Commodity Peering Services
- Research Services
 - Observatory
 - Experimental Architectures

www.internet2.edu



Questions?

network@internet2.edu

