

CANARIE

GLIF tech update

iGrid2005@Calit2, UCSD

La Jolla, 29 September 2005

Erik-Jan.Bos@surfnet.nl

Rene.Hatem@canarie.ca

<http://www.glif.is/working-groups/tech/>



GLIF tech WG - who

- > one of four GLIF WGs
- > support from TERENA; secretary is Kevin Meynell
- > was closed; now open to all, à la GGF et IETF
- > majority of participation to date has been by
 - - **snr network engineers and network infrastructure directors of GLIF resource providers**
 - - **equipment vendors**
 - - **a few applications people**
 - - **one scientist**



GLIF tech WG - history

- > Lambda workshops, i.e. Pre-GLIF meetings, in Amsterdam, NL (Sep 2001 and Sep 2002)
- > **GLIF Tech #1: Reykjavik, IS – Aug 2003**
- > **GLIF Tech #2: Nottingham, UK – Sep 2004**
 - - officially 29 participants
- > **GLIF Tech #3: Salt Lake City, UT, USA – Feb 13, 2005**
 - - officially 34, but ~50 counted
- > **GLIF Tech #4: San Diego, CA, USA – Sep 30, 2005**



GLIF tech WG - mandate

- > to design and implement an integrated global lambda infrastructure
 - - **make it easier to for researchers to find and obtain end-end LightPaths**
 - - **focus is on today's coordination difficulties that can be addressed now**
 - - **provides a common ground for advancement**



GLIF tech WG - tasks (1/2)

- > define standard "good enough" terms, i.e. to the extent that it will assist us in getting the job done
- > document and update GLIF resources
 - - **GLIF optical exchanges**
 - - **GLIF lambdas**
- > document and update GLIF resource provider
 - - **policy information, and**
 - - **process guidelines**
- > discuss, document, and encourage convergence regarding end-end LightPath Fault Management



GLIF tech WG - tasks (2/2)

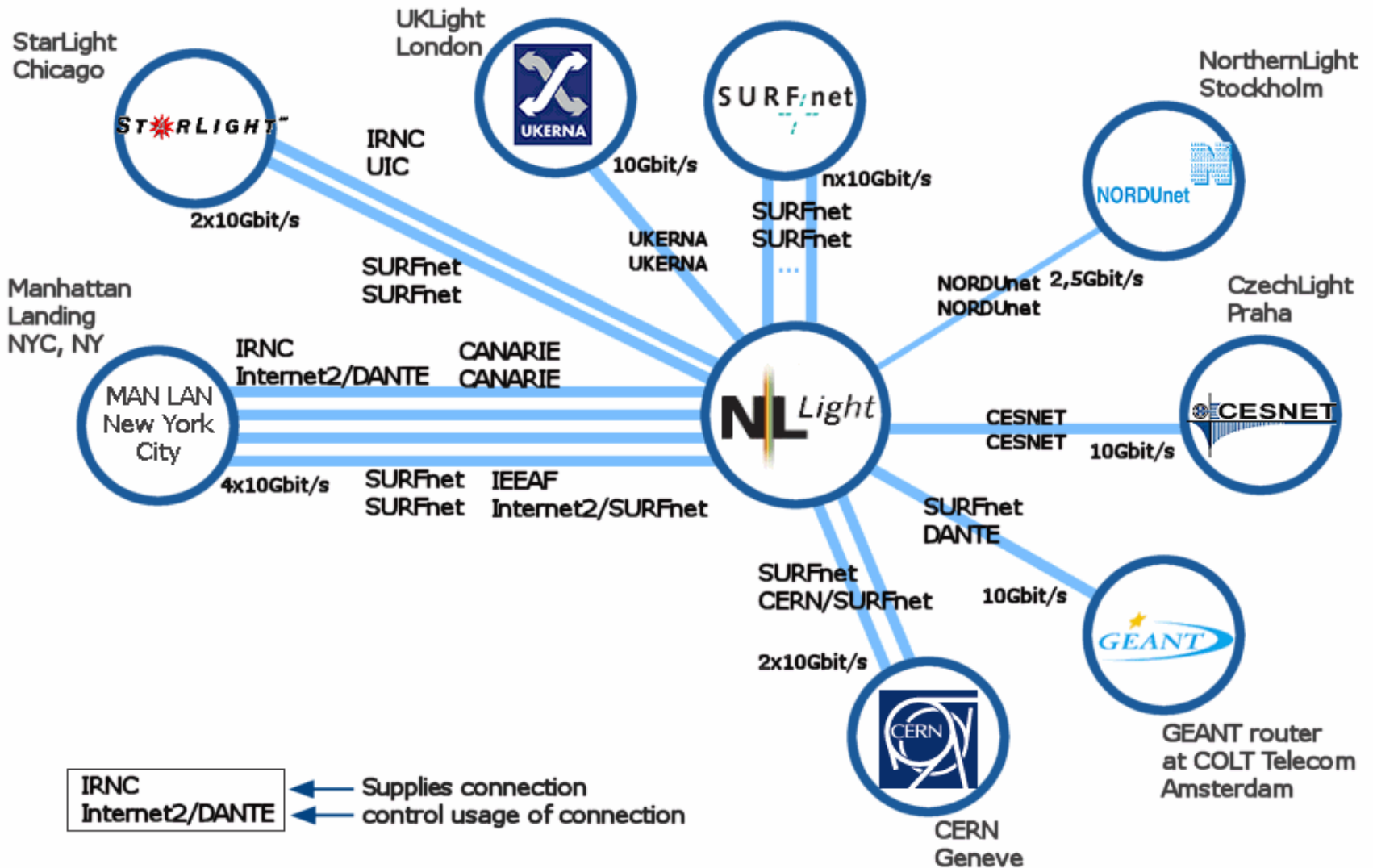
- > document and update GLIF resource provider NOC and admin contact information
- > establish and maintain regular GLIF open-exchange coordination calls
- > discuss, document, and encourage convergence with respect to solutions to technical problems
- > work with the Ctrl plane WG
 - - **share knowledge of provisioning as done today**
 - - **can invoke Tech for specific tasks**



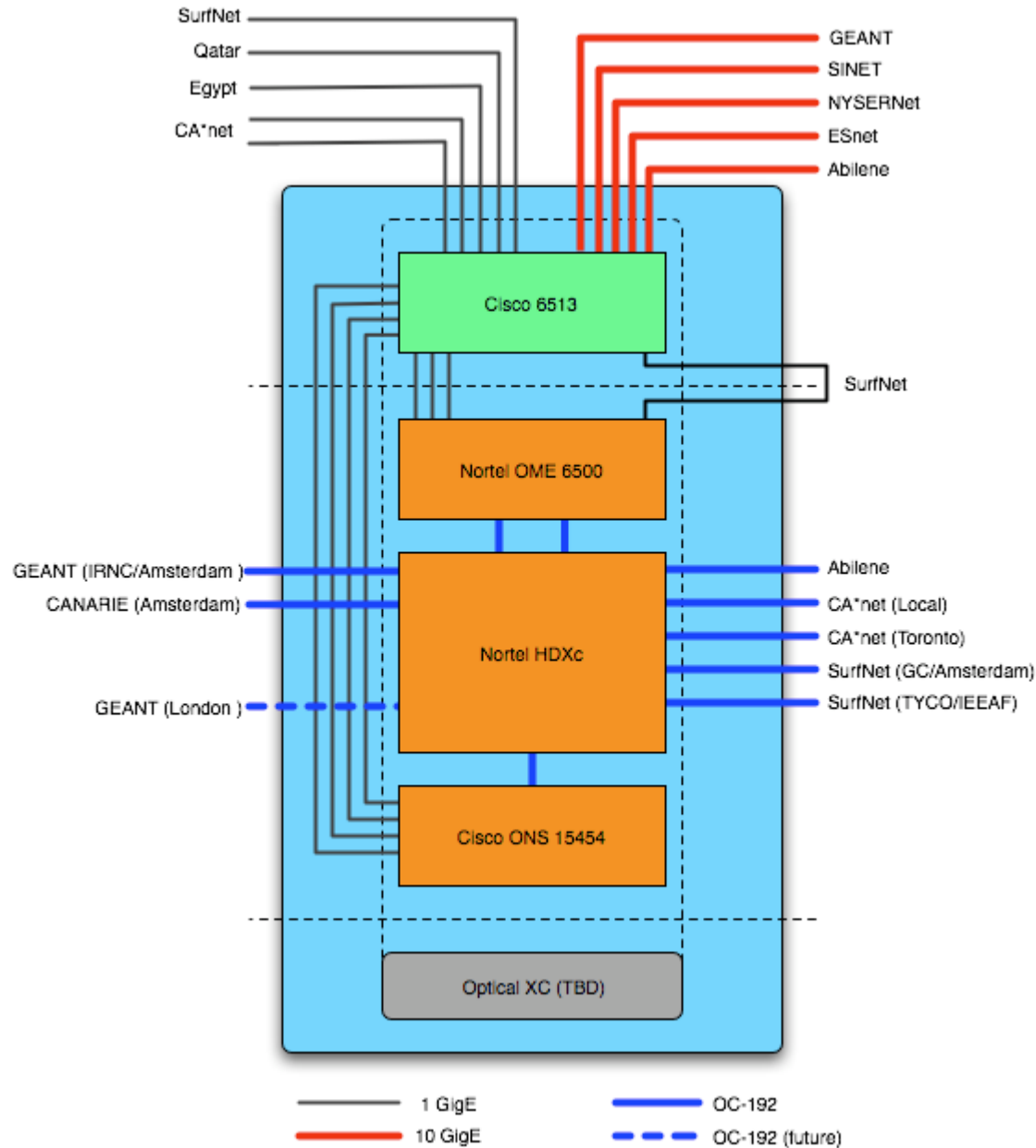
GLIF infrastructure update

- > large-scale GLIF open exchanges
 - - **NetherLight (Amsterdam)**
 - - **MAN LAN (New York)**
 - - **new CANARIE-StarLight (Chicago)**
 - - **new CANARIE-PNWGP (Seattle)**
- > more being added
 - - **TokyoLight**
 - - **HongKongLight**
 - - **BusanLight**

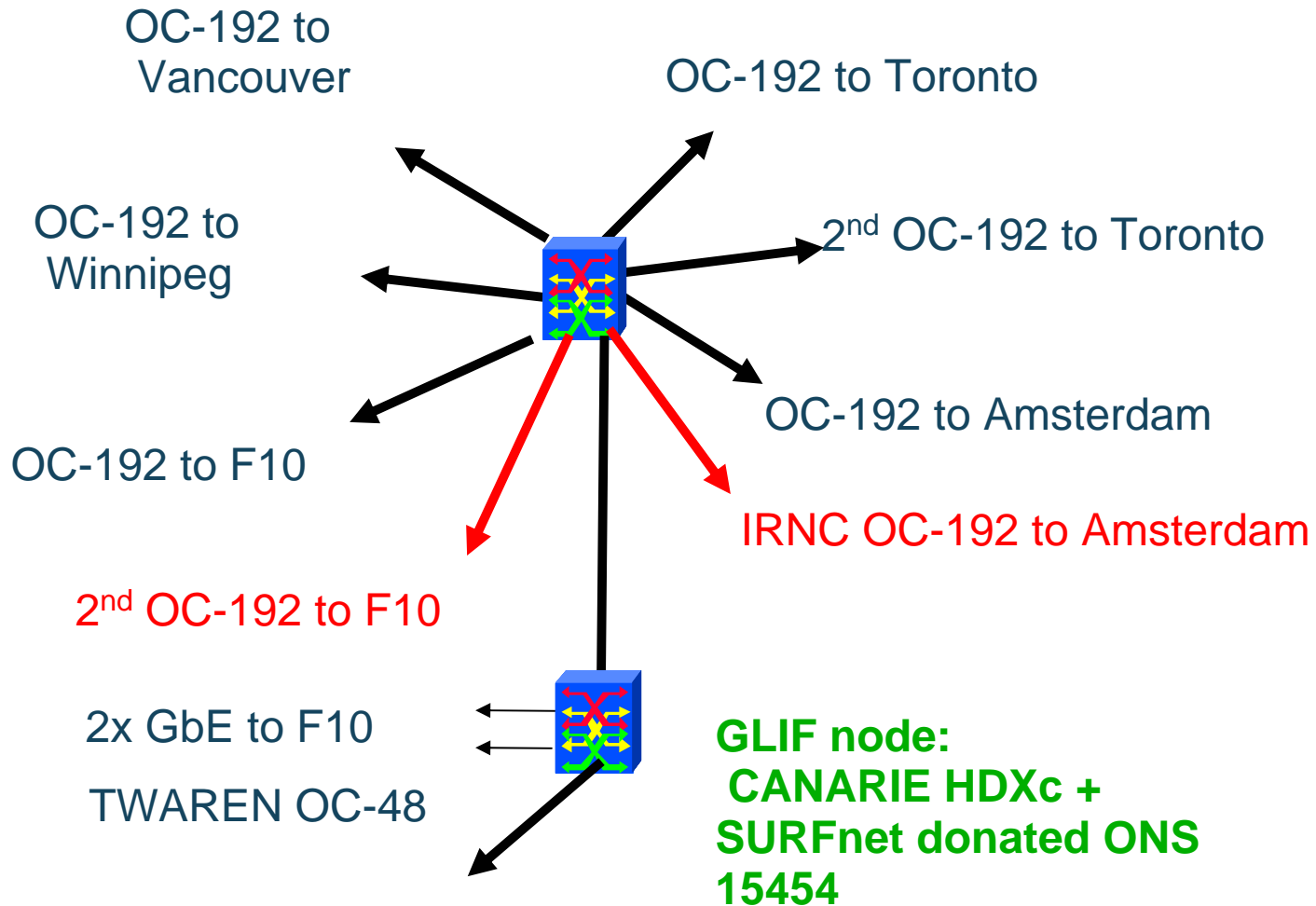
NetherLight



MAN LAN

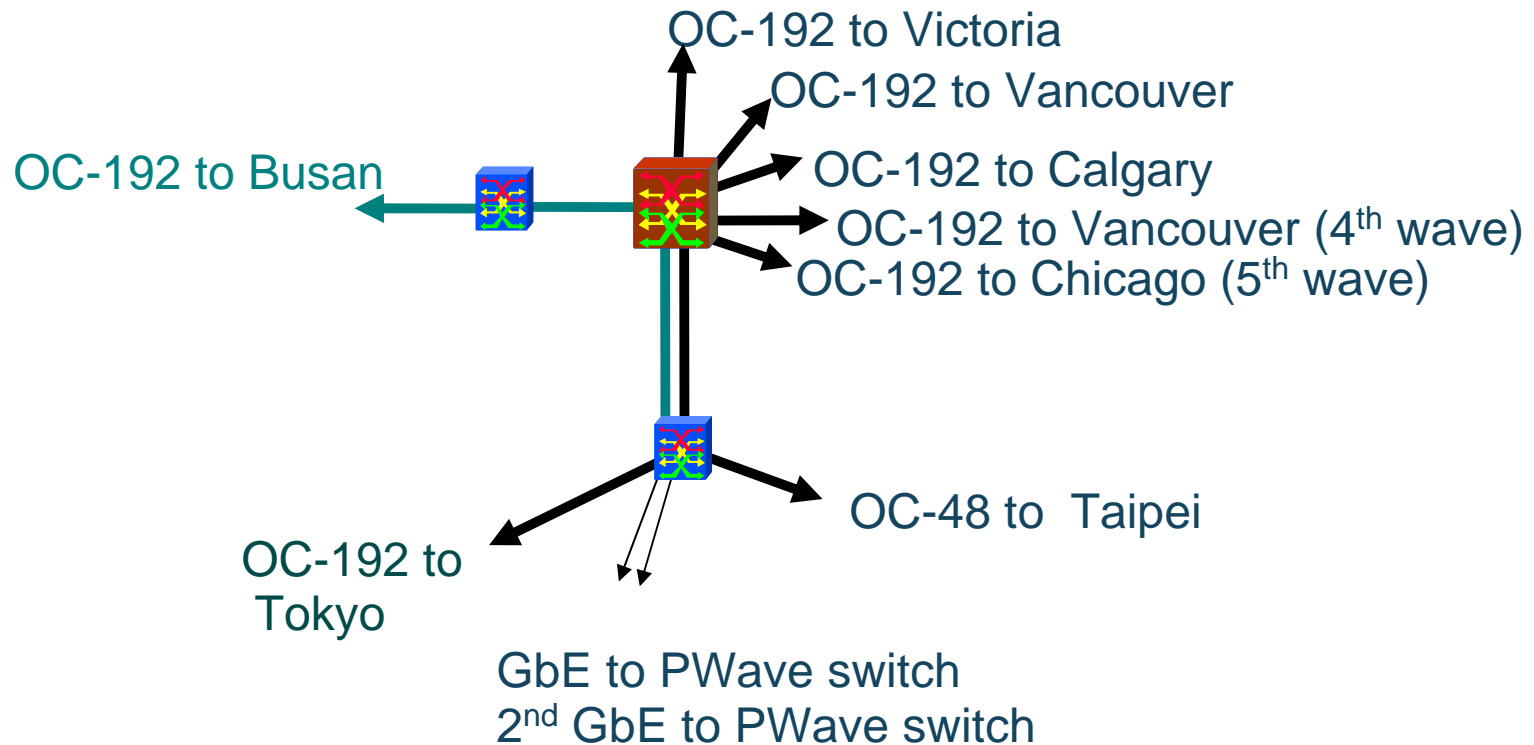


StarLight GLIF open exchange (9 Sept)



Seattle GLIF open exchange (8 Sept)

CANARIE HDXc + PNWGP 15454 + dedicated KREONet2/GLORIAD 15454





GLIF tech WG - meeting #4

> Agenda:

- **Part 1 - joint Tech and Ctrl plane WG meeting**
 - 1) separation of mandate between Tech and Ctrl
 - 2) common terms and "good enough" definitions
 - 3) GLIF resource update
 - 4) Resource repository approaches / solutions
- **Part 2 - Tech WG meeting**
 - 5) GLIF Open-exchange coordination
 - 6) Fault Management
 - 7) Policy and resource scheduling
 - 8) Developments in Transcontinental Ethernet

> We'd love to see you there!