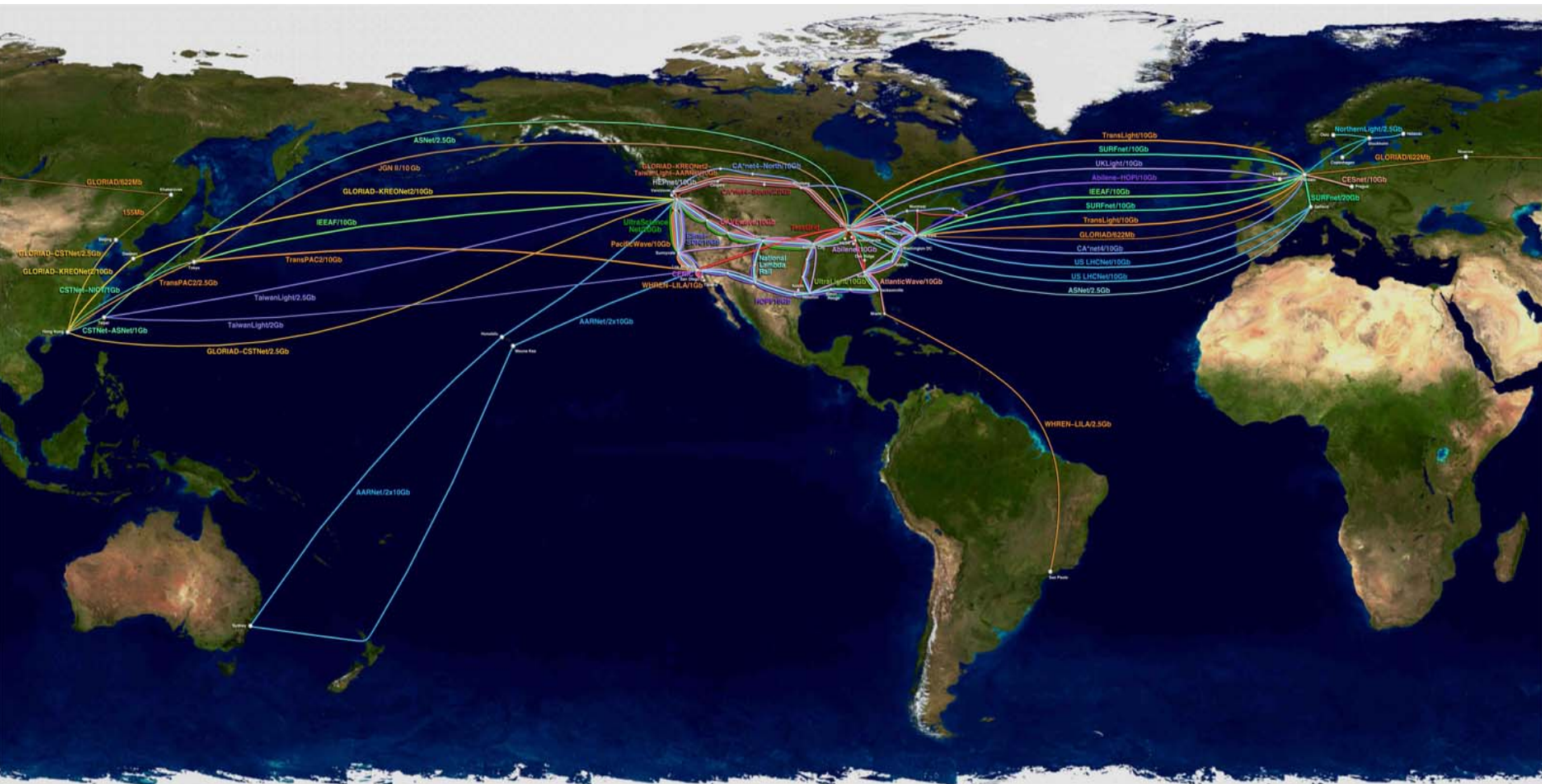


GLIF Resource Update

GLIF Tech #4
San Diego, CA, USA
September 30, 2005

GLIF Tech co-chairs:
René Hatem (CANARIE)
Erik-Jan Bos (SURFnet)

Global Lambda Integrated Facility World Map – August 2005

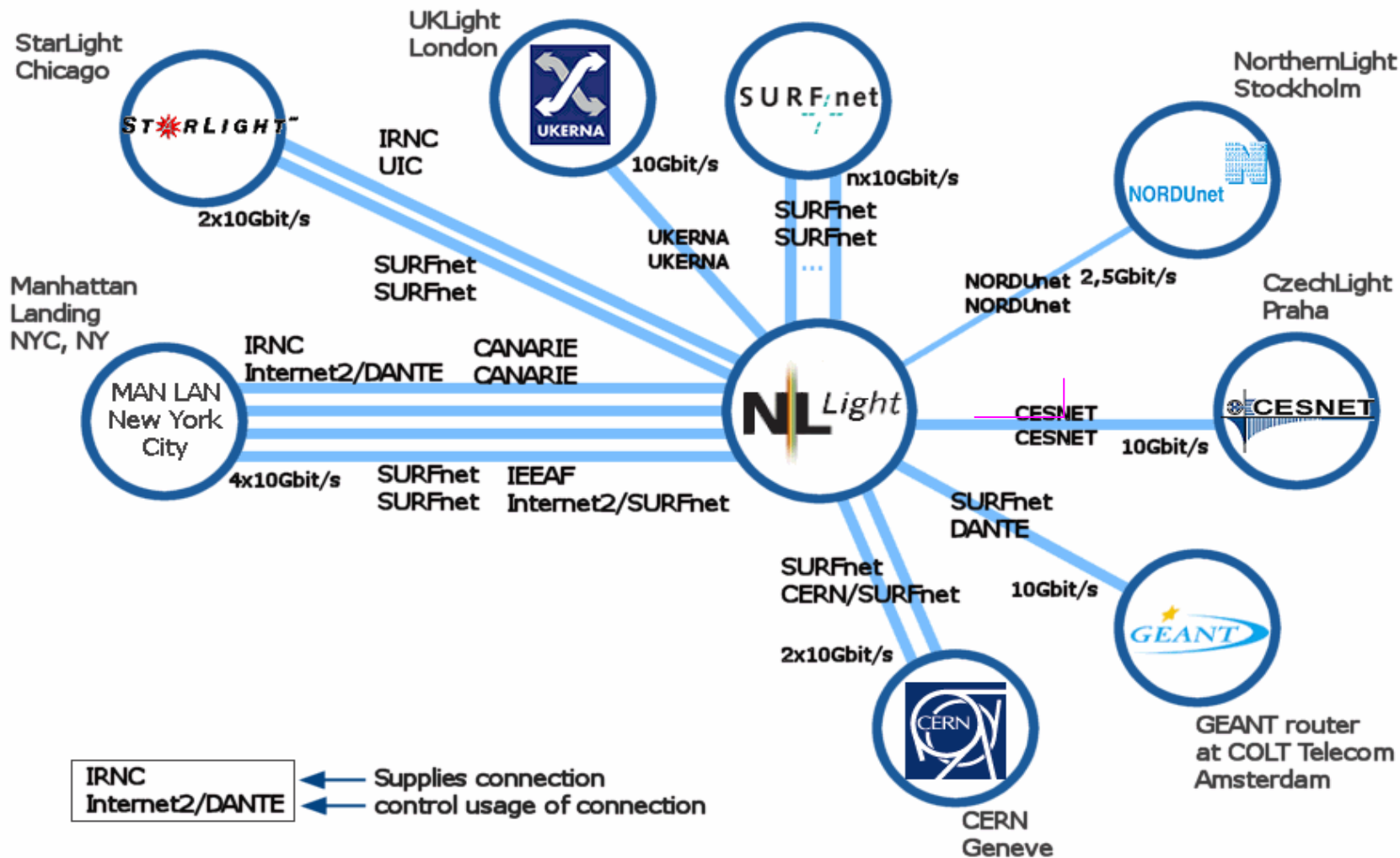


Visualization courtesy of Bob Patterson, NCSA/University of Illinois at Urbana-Champaign.
Data compilation by Maxine Brown, University of Illinois at Chicago. Earth texture from NASA.

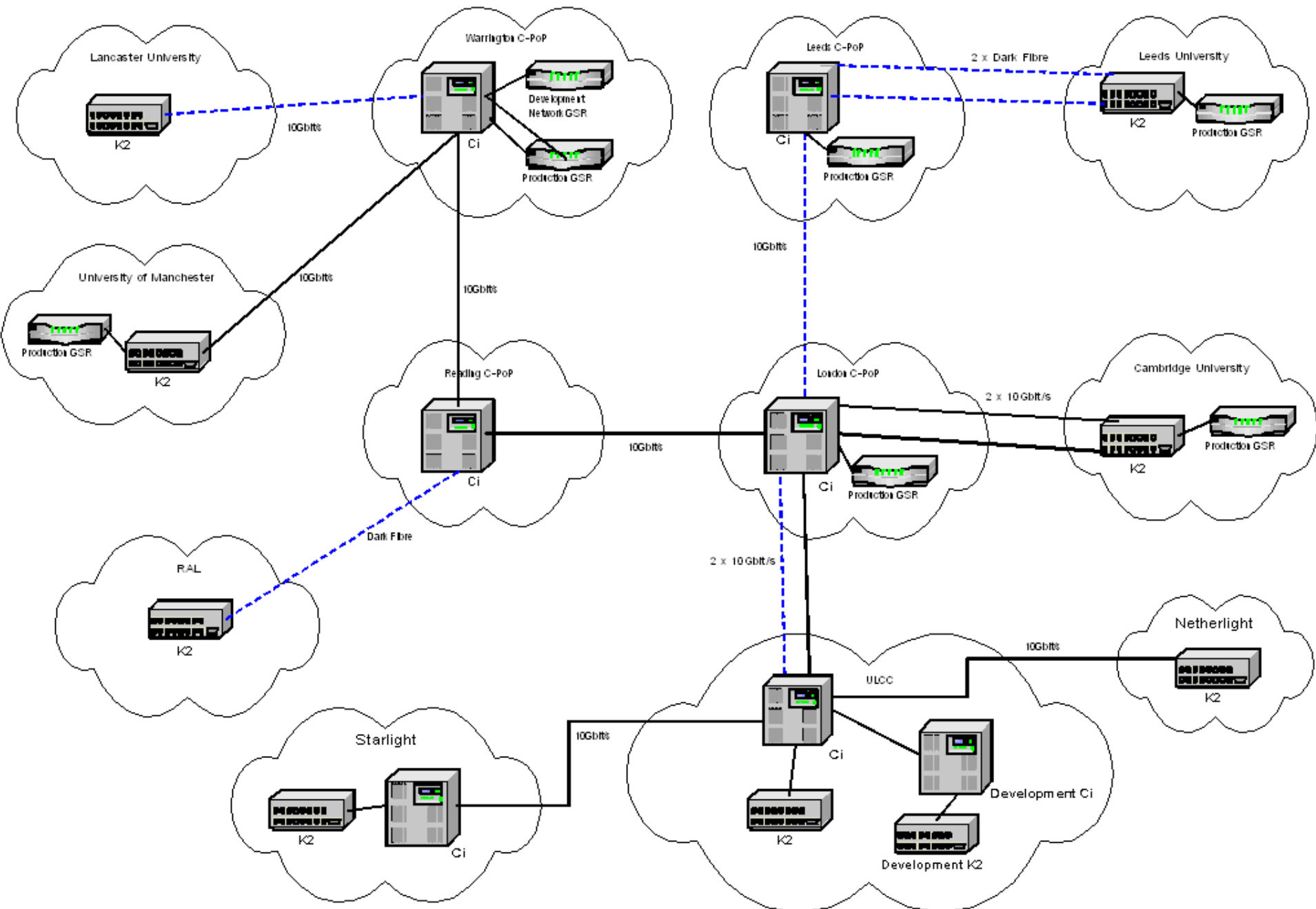
Updates from...

- NetherLight (Erik-Jan)
- NorthernLight (Lars)
- UKLight (John or David S.)
- CERN (David F.)
- MAN LAN (Rick)
- CANARIE-StarLight (René)
- CANARIE-Pacific NorthWest GigaPOP (René)
- T-Lex (Akira)
- GLORIAD-KR 10G Networks (Dongkyun)
- LHCnet (Dan/Yang)
- UltraLight (Dan/Yang)

NetherLight topology



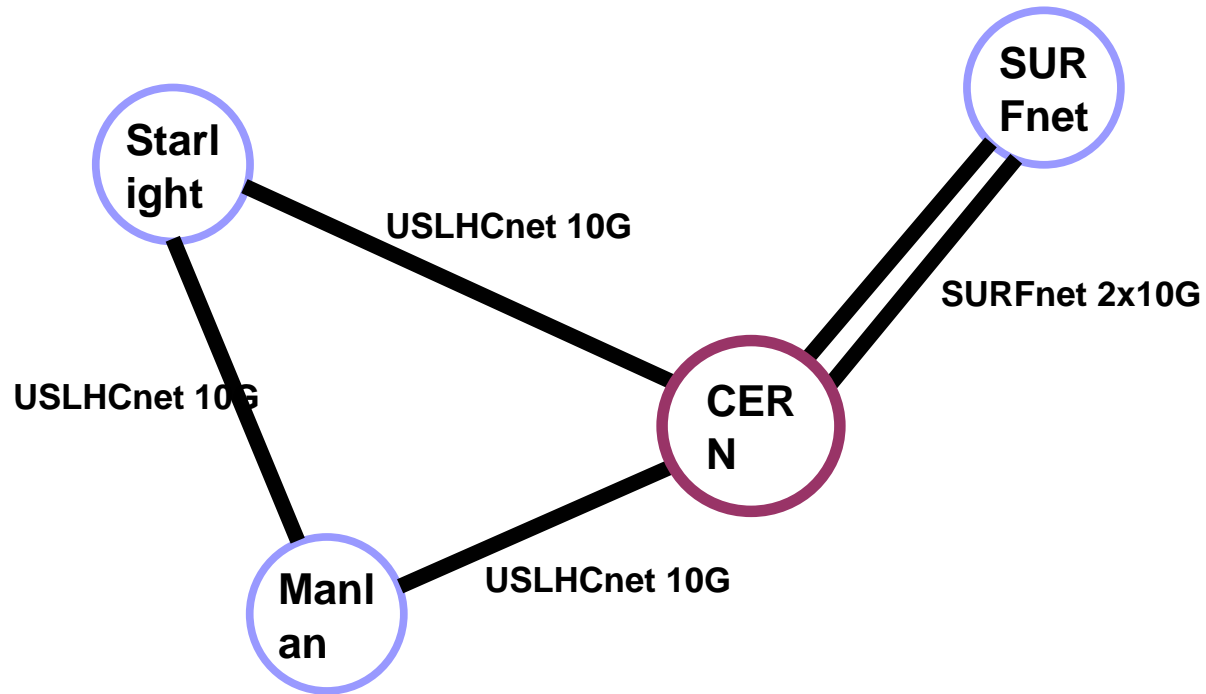
UKlight & the extended development network -
Phase 1 & Phase 2



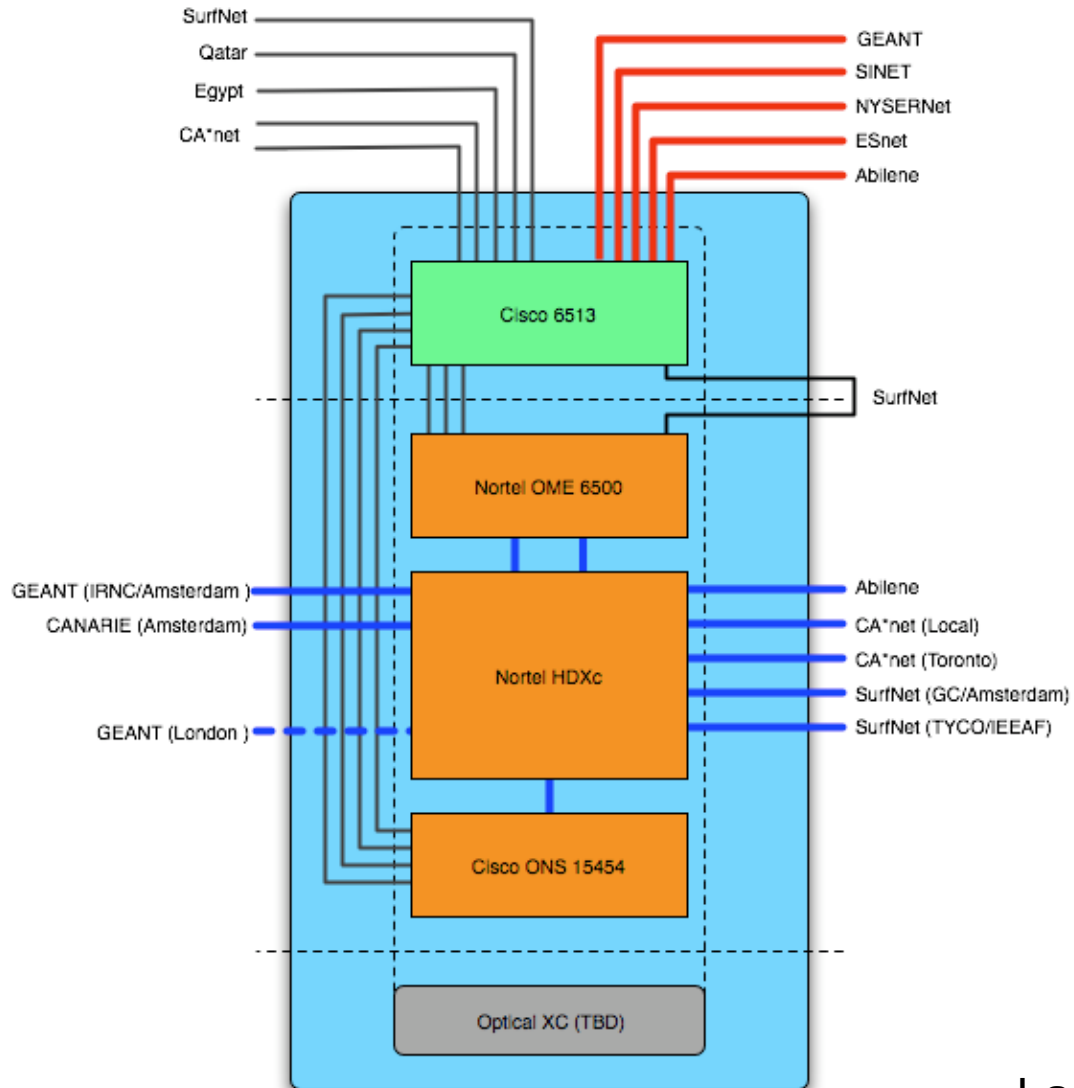
NorthernLight

- Star network with hub in Stockholm, OC48 connectivity to Oslo, Helsinki, Copenhagen, Amsterdam
- Based on Cisco ONS-15445
- Provides 2 x GbE links between any two cities
- Connects to NetherLight / GLIF community in Amsterdam
- Will connect to GEANT2 in Copenhagen by December 2005
- Will be upgraded to $n \times 10GE$ by June 2006





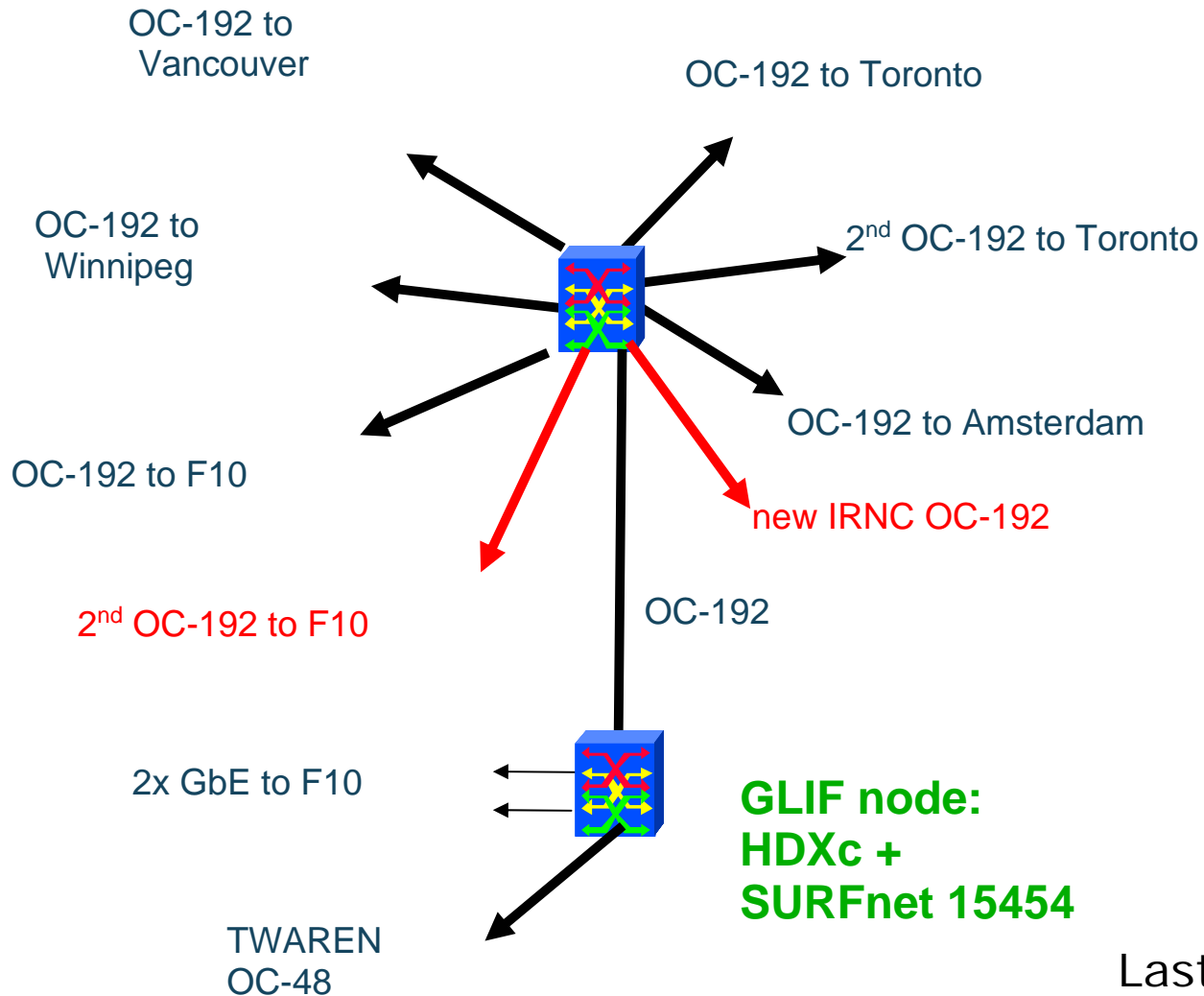
MAN LAN



— 1 GigE
— 10 GigE
— OC-192
- - - OC-192 (future)

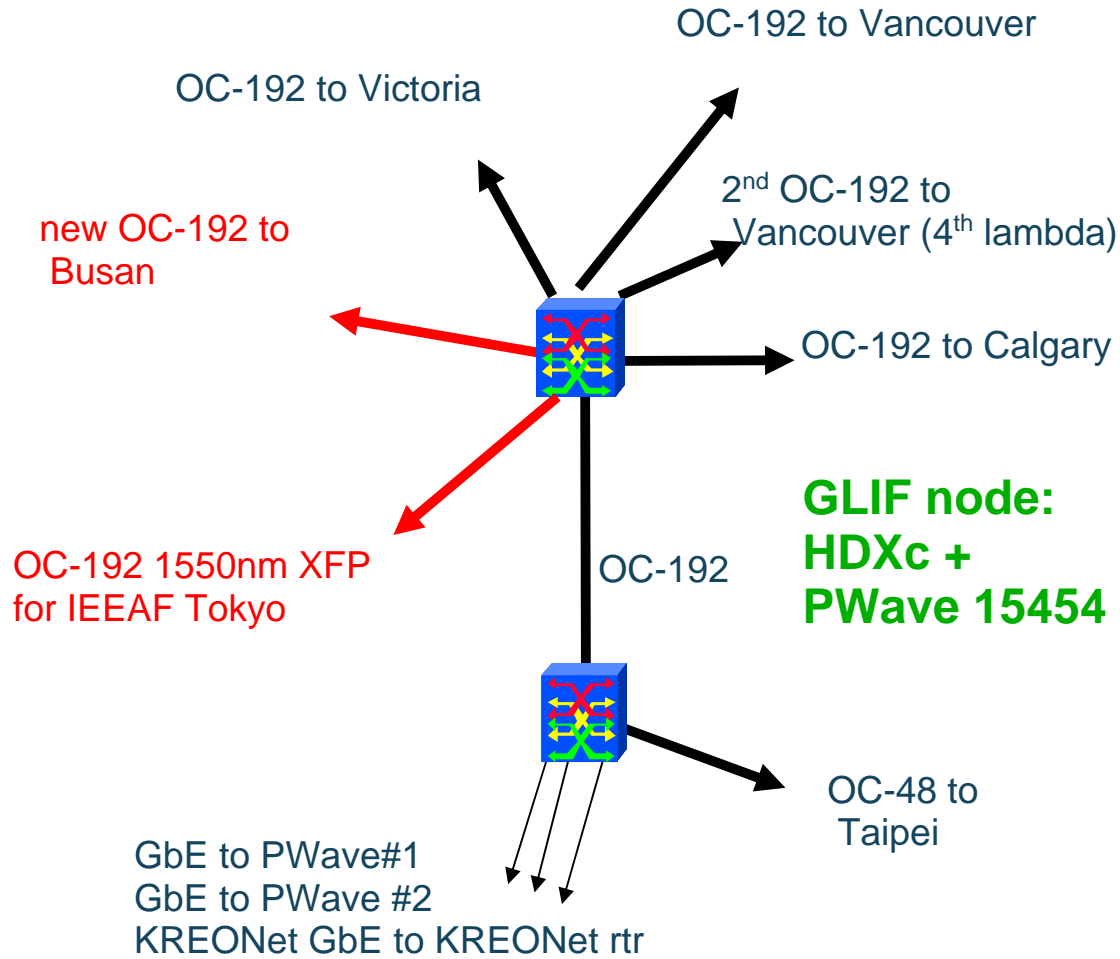
Last update:
September 28, 2005

CANARIE-StarLight



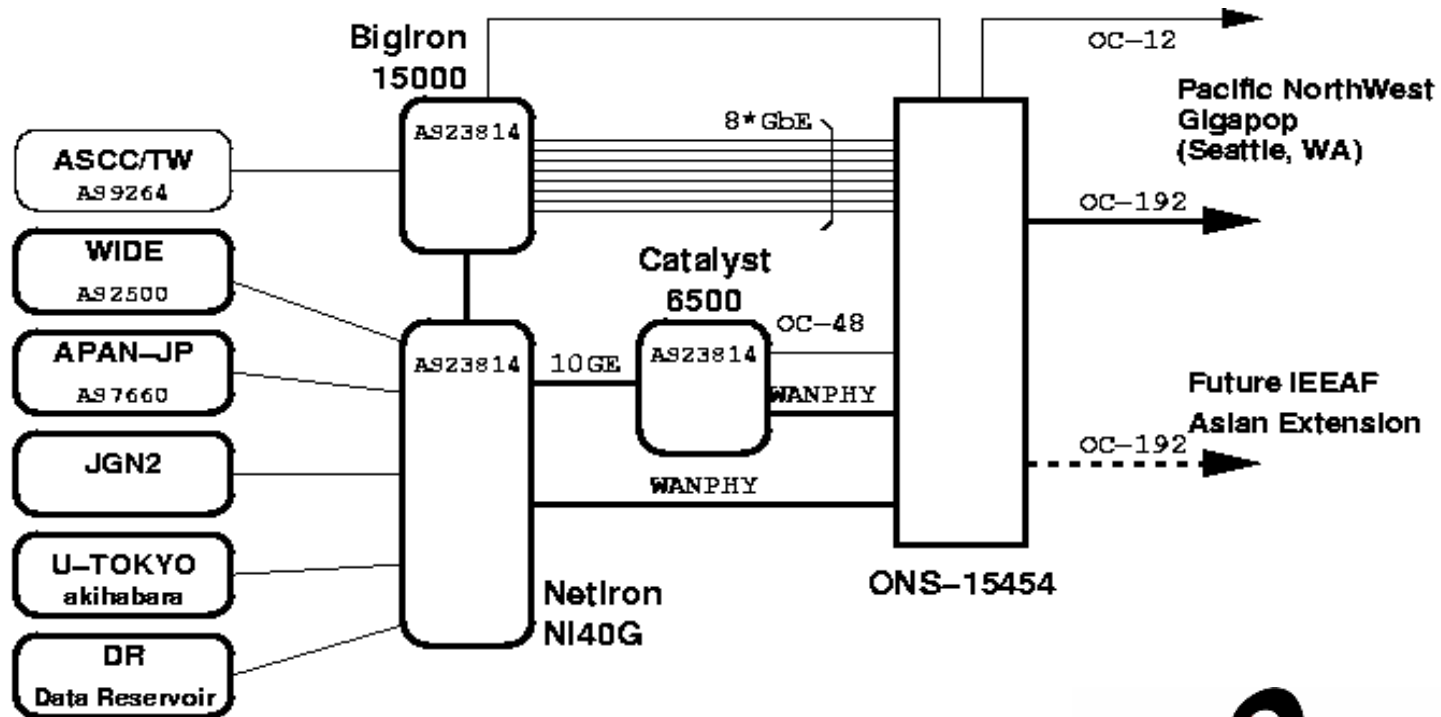
Last update:
September 28, 2005

CANARIE-PNW GigaPOP

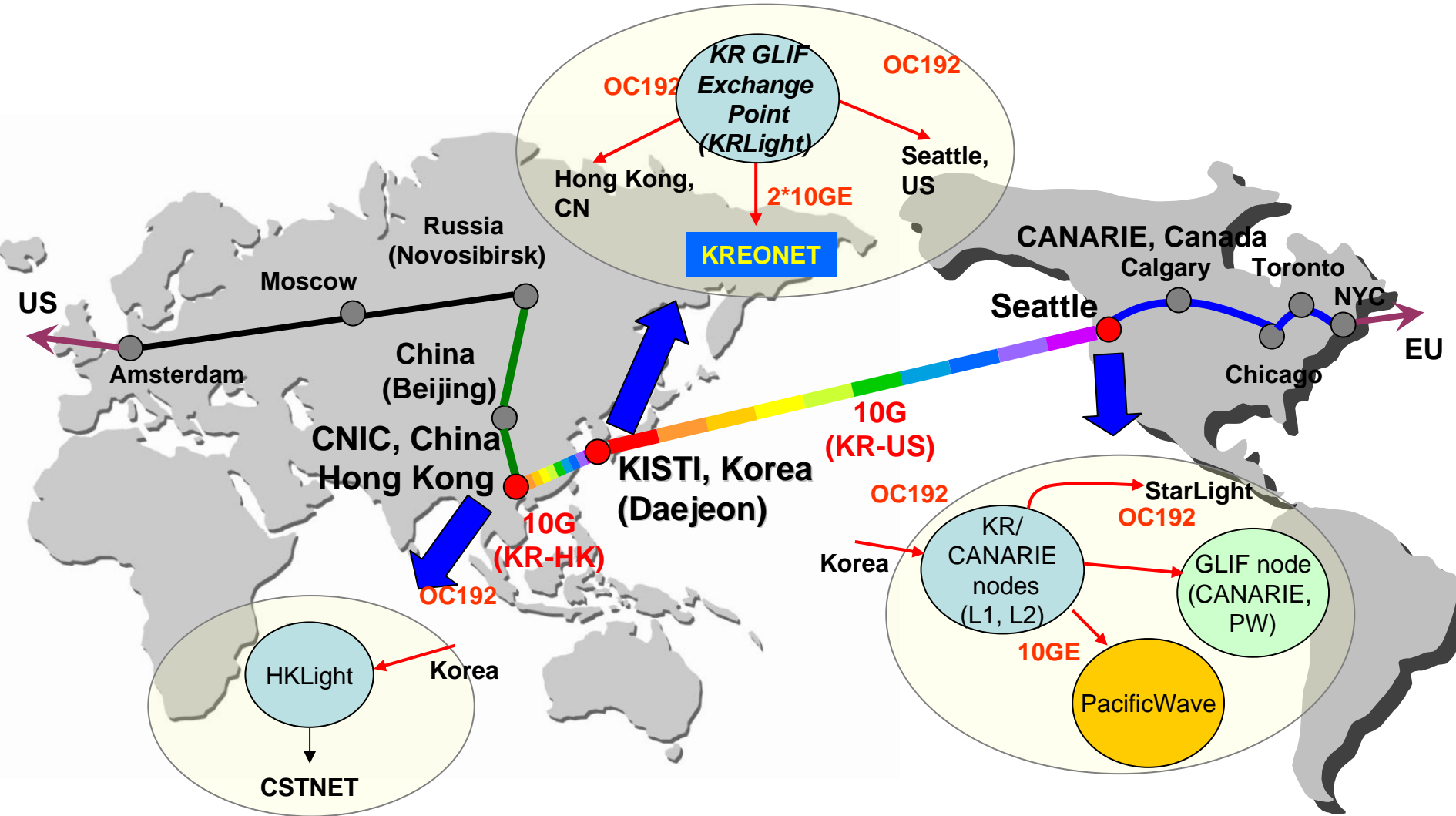


Last update:
September 28, 2005

T-LEX in Tokyo, JAPAN



GLORIAD-KR 10G Networks (HK-DJ-SE)

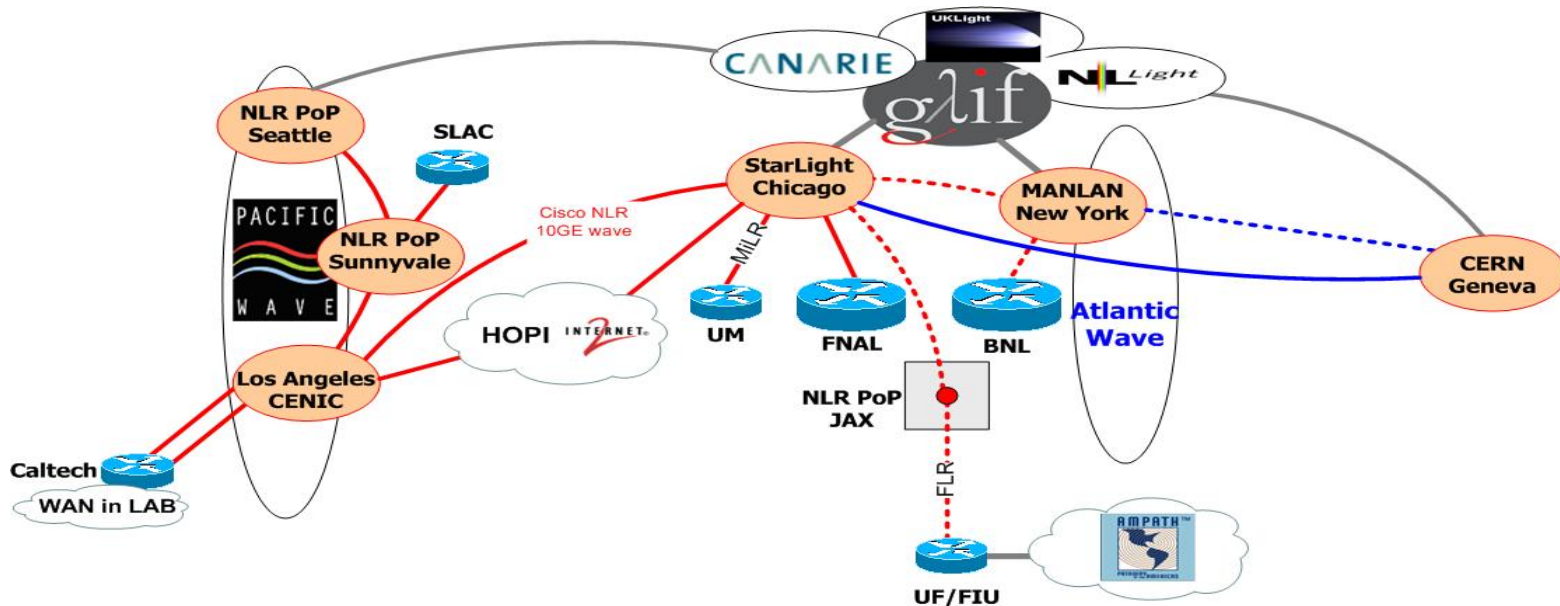






— 2.5G
 — 10G

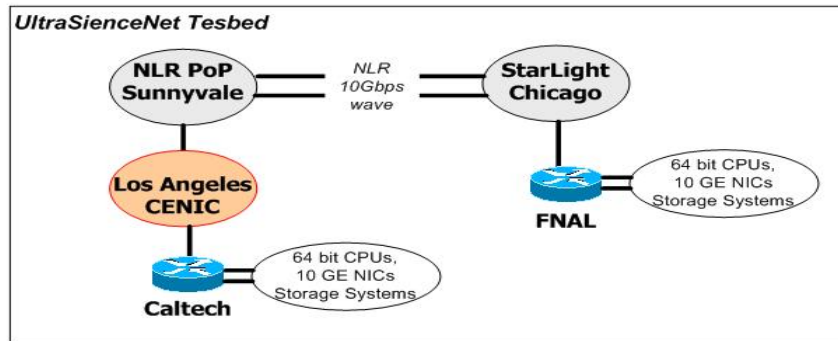
* TGN (Tyco Global Network) : Korea to US

* FNAL (FLAG North Asia Loop) : Korea to HK

Lambda connections to Ultralight



-  UltraLight PoP
-  UltraLight Cisco 7600
-  UltraLight 10 Gbps
-  LHCnet 10 Gbps



Lambda connections to LHCnet

